

Intellian i6PE

Perfect Reception in Harsh Conditions
with the Extended Elevation Range



HDTV
COMPATIBLE

A firm hold on the signal

Intellian's exclusive Dynamic Beam Tilting (DBT) uses a high performance, constantly adjusting sub-reflector which allows the antenna to remain the strongest signal at all times while the vessel is cruising at high speed.

Faster signal acquisition

Intellian's exclusive Wide Range Search (WRS) algorithm allows the antenna to search, find and lock on to a signal with incredible speed and accuracy.

Simple & Easy installation

With a single cable to connect the antenna and the ACU, Intellian i6PE systems are quick and easy to install. Our advanced ACU is designed to require minimum setup so you can begin to enjoy TV programs aboard your boat in no time.

Tune in your favorite HDTV channels

Intellian's i6PE provides HD channels from the Ku-band. The HD module is built-in to the Antenna Control Unit of the Intellian i6PE for seamless integration and easy installation.

Built-in GPS

Intellian i6PE includes a built-in GPS for easier operation and faster signal acquisition.

Unmatched performance

60cm reflector diameter with nationwide coverage for North & South America, Europe and the regional service around the globe.

Wireless connectivity & Aptus mobile

The built-in Wi-Fi enables the ACU to be wirelessly connected. PCs, laptops and smartphones can be used to connect to the ACU and monitor, control and change the settings of the system wirelessly. Intellian Aptus mobile is available for download to access to the ACU via Wi-Fi and operate the antenna from their iPhone, iPad or other network devices. iPhone and iPad are registered trademarks of Apple Inc.

All-in-One system

Auto Skew Angle Control System, GPS and extended elevation range provided as a default option allow the i6PE to have enhanced signal receptions in weak satellite signal coverage areas and have accuracy and easy operation wherever the vessel sails.

Intellian

Connect with the best

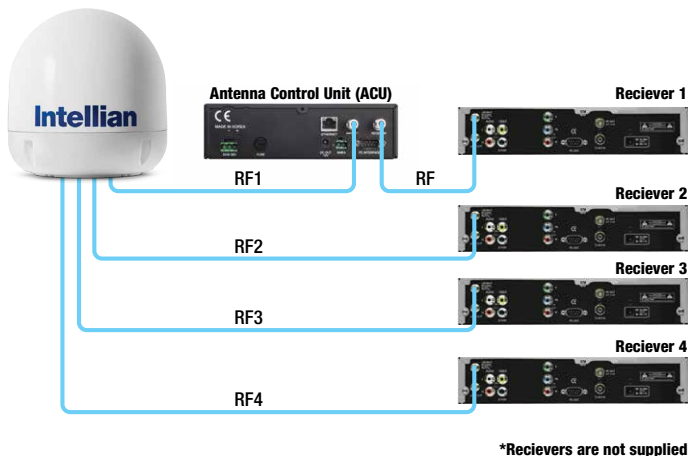
Intellian i6PE

Perfect Reception in Harsh Conditions
with the Extended Elevation Range

Technical Specifications

Physical	
Radome Height	75.4cm / 29.7"
Radome Diameter	70cm / 27.5"
Reflector Diameter	60cm / 23.6"
Weight	20kg / 44lbs
Environmental	
Operating Temp. Range	-25°C to +55°C / -13°F to +131°F
Storage Temp. Range	-40°C to +80°C / -40°F to +176°F
Water Ingress	IPX6
Approvals	CE / FCC
Warranty	3 years parts and 1 year labor
Performance	
Reception Frequency	Ku-band (10.7~12.75GHz)
Polarization	Vertical / Horizontal
Minimum EIRP	46dBW
Azimuth Range	680°
Elevation Range	-15° to +90°
Ship's Motion	Roll ±25°, Pitch ±15°
Roll & Pitch Response Rate	45° / sec
Turning Rate	45° / sec
RF Output	Quad Output
Antenna Control Unit	
Dimensions (WxDxH)	17.8cm x 21.7cm x 5.4cm / 7" x 8.5" x 2.1"
Weight	1.2kg / 2.6lbs
Display	2 line 20 Character VFD module
GPS Interface	Built-in (NMEA 0183 GPS)
Power Requirement	9.0~30.0V DC
Power Consumption	Typ. 30W, Max. 50W

System Diagram



Key Features

Single Cable from Antenna to ACU

Only one RG6 coaxial cable is required to connect from the Antenna to the ACU. Single cabling allows simpler configuration for installation and easier maintenance.

Enhanced Antenna

Highly efficient 24 inch parabolic antenna enables 47dBW of minimum EIRP.

Extended Elevation Angle Range

Extended Elevation Range (-15°~ 90°) and special pedestal designed for regions that require extremely low or high antenna angles such as Scandinavia and the Equatorial regions.

Wide Range Search (WRS) Algorithm

Competitor methods search for the narrow-bandwidth of the main lobe. However Intellian's exclusive WRS searches for the wide range of side lobes and jumps up to the main lobe, providing faster satellite acquisition.

Fully Automated Digital Video Broadcasting (DVB) Identification

DVB Decoder with CPLD enables high speed identification.

Dynamic Beam Tilting (DBT) Technology

A high-speed sub-reflector rotates off axis, checking signal strength at 50 times per second and compensating the tracking direction. Less movement of the main-reflector means less noise and extends the product life.

DVB-S2 Signal Identification

High speed identification employing DVB-S2 Decoder.

HDTV-ready Antenna Control Unit

The i6PE's ACU includes Ku-band High Definition decoding module as its default option. The user can enjoy High Definition TV programming from Ku-band satellites.

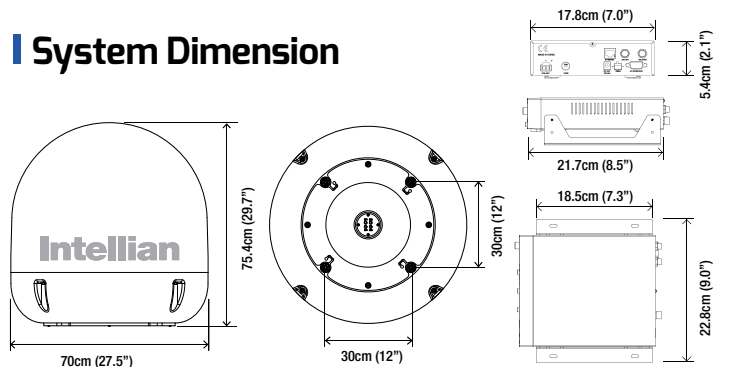
Automatic Polarization (Skew-angle) Control

Automatic Skew Angle Control System (-90°~ +90°) for Linear Horizontal / Vertical Polarization.

Built-in GPS and NMEA 0183 Interface Port

The i6PE includes a built-in GPS inside of the Antenna Unit for faster signal acquisition. The ship's GPS can also be connected through the NMEA 0183 port on the rear panel of the ACU.

System Dimension



Intellian

Global HQ
Innovation Center / Factory
Intellian Technologies, Inc.
T +82 31 379 1000
F +82 31 377 6185

APAC
Seoul Office
Intellian Technologies, Inc.
T +82 2 511 2244
F +82 2 511 2235

Americas
Irvine Office
Intellian Technologies USA, Inc.
T +1 949 727 4498
F +1 949 271 4183
Toll Free +1 888-201-9223

EMEA
Rotterdam Office
Intellian B.V.
T +31 1 0820 8655
F +31 1 0820 8656