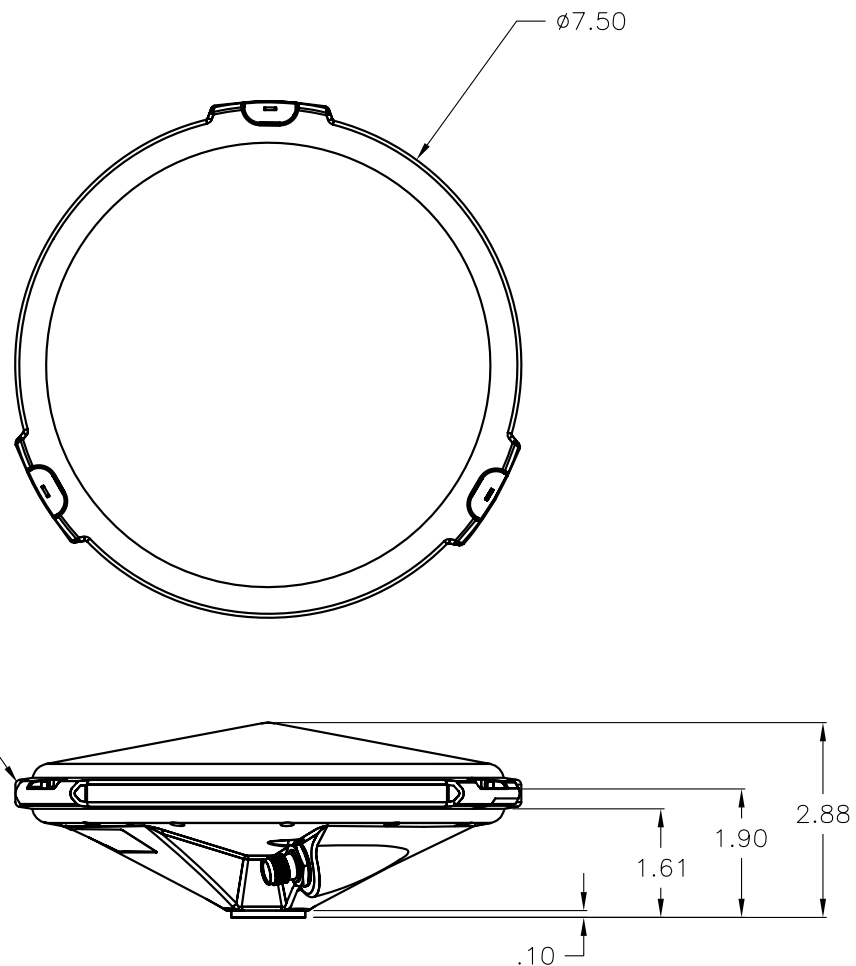


8 7 6 5 4 3 2 1

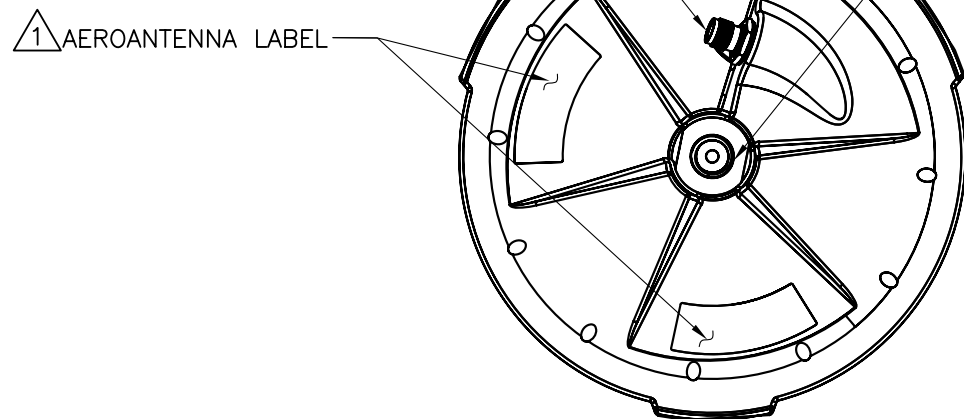
REVISIONS			
SYM	DESCRIPTION	DATE	APPROVED
A	PRODUCTION RELEASE	09/08/10	

NOTES: UNLESS OTHERWISE SPECIFIED.

- 1 LABEL SIZE, SHAPE, AND CONTENTS SUBJECT TO CHANGE WITHOUT NOTICE.
- 2 BUMPER COLOR: BLACK
- 3. TOLERANCES: .XX ± .03
.XXX ± .010



TNCF CONNECTOR
5/8-11 UNC-2B ADAPTER PERMANENTLY INSTALLED



SPECIFICATION:

FREQUENCY: L1+GLONASS G1, L2+GLONASS G2+GALILEO L5
1590 ±25 MHz
1176 ±20 MHz
1238 ±21.5 MHz

POLARIZATION: RIGHT HAND CIRCULAR

AXIAL RATIO: 3 dB MAX @ BORESIGHT

RADIATION COVERAGE: TBD

AMPLIFIER:
GAIN: 38 dB
NOISE FIGURE: 2.5 dB MAX
IMPEDANCE: 50 OHMS
VSWR: ≤2.0:1
BAND REJECTION: 20 dB @ 250 MHz
POWER HANDLING: 1 WATT

FINISH: WEATHERABLE POLYMER

WEIGHT: 18 OZ MAX

ALTITUDE: 20,000'

OPERATING TEMP: -40°C TO +70°C



PART NO. DESIGNATION:

AT1675-539S-XXXX-XXX-XX-XX-XX-X

COLOR
S = SMOKE GRAY RAL 7035
RoHS

CONNECTOR
TNCF = TNC FEMALE
MAGNET
NM = NO MAGNET

CABLE LENGTH
* 000 = IN INCHES
GAIN (± 2 dB)
38 = 38 dB (65 mA)

VOLTAGE
RG = 4.2 TO 15.0 VDC

* = OPTION NOT AVAILABLE WITH THIS MODEL
STANDARD MODEL= AT1675-539S-TNCF-000-RG-38-NM-R

DO NOT SCALE THIS DRAWING REMOVE BURRS AND BREAK SHARP EDGES: PART TO BE CLEAN AND OIL FREE ALL DIMENSIONS ARE IN INCHES DIMENSIONING & TOLERANCING PER ASME Y14.5M-1994 TOLERANCES: .XX = ±.01 FRACT = ±1/32 .XXX = ±.005 ANG. = ±1/2°	DRAWN A. GUTIERREZ 01/15/10	 AS9100 CERTIFIED CO.
✓ SURFACE ROUGHNESS MACHINED PARTS V63 MOLDED PARTS V32	CHECKED	
HOLE DIA. TOLERANCE .0135 - .125 +.004 -.001 .126 - .250 +.005 -.001 .251 - .500 +.006 -.001 .501 - .750 +.008 -.001	ENGR E. NABOYSHCHIKOV 01/15/10	TITLE GNSS ANTENNA
	MFG DANNY LEVY 9/08/10	SIZE B
	Q.A. B. RUBENI 9/08/10	CAGE CODE OUVG2
	APPROVED YOUSIF ZADEH 9/08/10	DRAWING NO. AT1675-539
NEXT ASSY	DRAWN IN CAD	REV A
		SCALE NONE I:\CAD\AT1675\539\AT1675-539_A SHEET 1 OF 1

AT1675-539