

PROPRIETARY NOTICE: This document contains proprietary information of AAT Inc. neither the document nor said proprietary information shall be published, reproduced, copied, disclosed or used for any purpose other than consideration of this document without the express written permission of a duly authorized representative of said Company.

REVISIONS			
SYM	DESCRIPTION	DATE	APPROVED
A	PRODUCTION RELEASE	09/02/05	

AT2775-203

NOTES: UNLESS OTHERWISE SPECIFIED.  
 1. SIZE, SHAPE, AND CONTENTS OF NAME PLATE ARE SUBJECT TO CHANGE WITHOUT NOTICE.  
 2. TOLERANCE: .XX = ±.03  
 .XXX = ±.010

SPECIFICATION:

FREQUENCY: 1227±10 MHz & 1575±10 MHz  
 POLARIZATION: RIGHT HAND CIRCULAR  
 IMPEDANCE: 50 OHMS  
 VSWR: ≤2.0:1  
 WEIGHT: 4.47 OZ  
 ALTITUDE: 20,000'  
 OPERATING TEMP: -50°C TO +70°C  
 STORAGE TEMP: -57°C TO +70°C

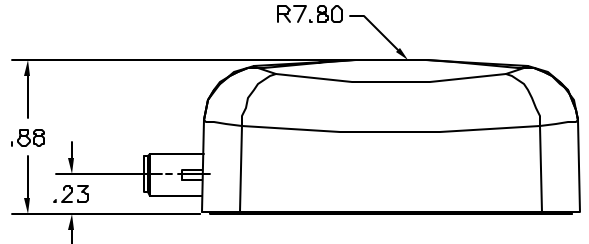
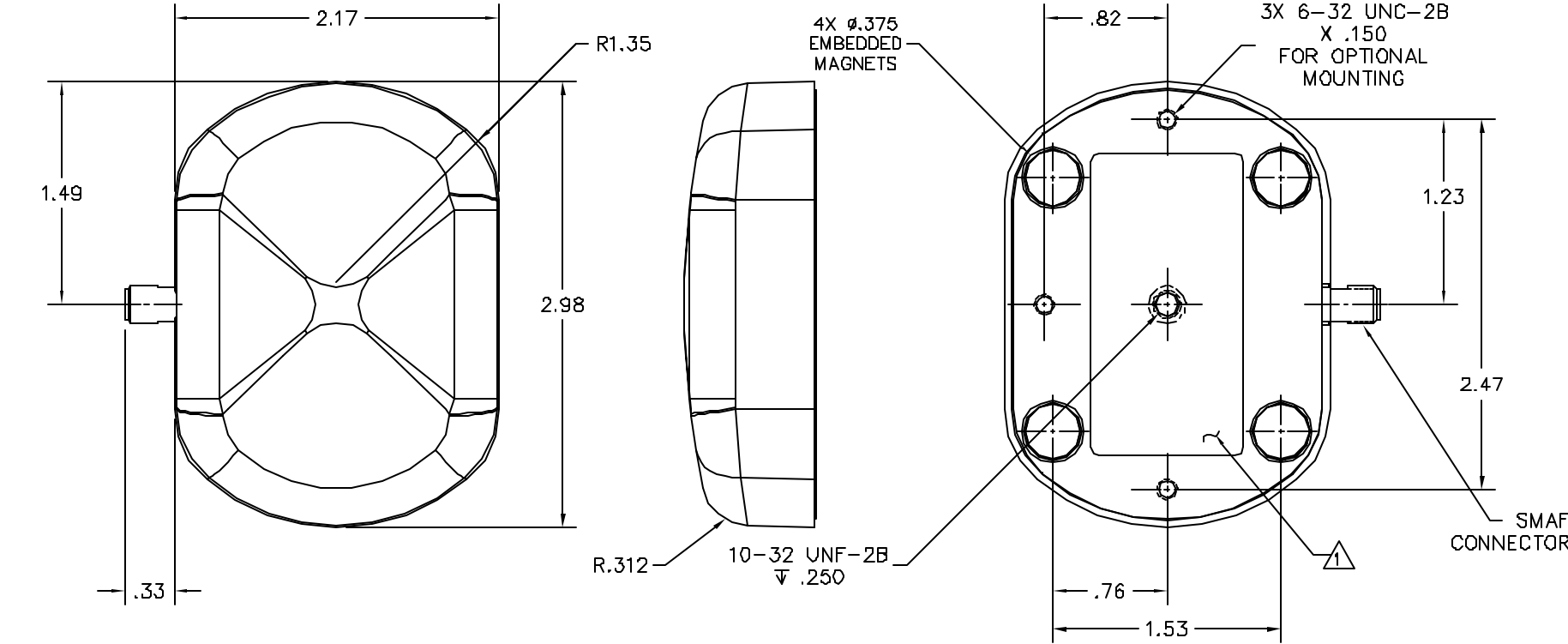


PART NO. DESIGNATION:

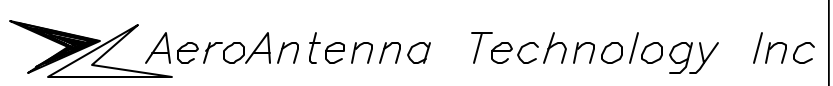
AT2775-2030-SMAF-XXX-XX-XX-NM

COLOR	MAGNET
W = WHITE	IM = INTERNAL
B = BLACK	GAIN (± 2 dB)
O = OLIVE DRAB	00 = PASSIVE
CONNECTOR	26 = 26 dB (38 mA)
SMAF = SMA FEMALE	XX = OTHER
CABLE LENGTH	VOLTAGE
*000 = IN INCHES	00 = PASSIVE
	03 = 3 VDC(+2.5 TO +5.5VDC)

\* = OPTION NOT AVAILABLE WITH THIS MODEL  
 STANDARD MODEL= AT2775-2030-SMAF-000-03-26-IM



DO NOT SCALE THIS DRAWING	DRAWN	S. VALDES	09/02/05
ALL DIMENSIONS ARE IN INCHES	CHECKED	E. ZELAYA	09/02/05
DIMENSIONING & TOLERANCING PER ASME Y14.5M-1994	ENGR	S. VALDES	09/02/05
TOLERANCES: .XX = ±.01	MFG	D. LEVY	09/08/05
.XXX = ±.005	Q.A.	B. RUBENI	09/07/05
FRACT = ±1/32	APPROVED	G. SHAR	09/02/05
ANG. = ±1/2°	UNLESS OTHERWISE SPECIFIED	DRAWN IN CAD	
✓ SURFACE ROUGHNESS MACHINED PARTS √83 MOLDED PARTS √32			
REMOVE BURRS AND BREAK SHARP EDGES:			
PART TO BE CLEAN AND OIL FREE			
NEXT ASSY			



TITLE			
LOW PROFILE L1/L2 ANTENNA			
SIZE	CAGE CODE	DRAWING NO.	REV
B	OUVG2	AT2775-203	A
SCALE NONE   I:\CAD\AT2775\ -203\AT2775-203A   SHEET 1 OF 1			