

PROPRIETARY NOTICE: This document contains proprietary information of AAT Inc. neither the document nor said proprietary information shall be published, reproduced, copied, disclosed or used for any purpose other than consideration of this document without the express written permission of a duly authorized representative of said Company.

REVISIONS			
SYM	DESCRIPTION	DATE	APPROVED
D	SEE ECO 5247	09/13/02	

NOTES: UNLESS OTHERWISE SPECIFIED.

- 1 LABEL SIZE, SHAPE, CONTENTS AND LOCATION SUBJECT TO CHANGE WITHOUT NOTICE.
- 2 LOGO OPTIONAL.
- 3. TOLERANCES: .XX ± .03  
.XXX ± .010

SPECIFICATION:

FREQUENCY: 1525-1585 MHz (L+L1)  
1217-1237 MHz (L2)

POLARIZATION: RIGHT HAND CIRCULAR

AXIAL RATIO: 3 dB MAX

RADIATION COVERAGE: 6.0 dBic 0° = 0°  
-2.0 dBic 0° < θ < 75°  
-3.0 dBic 75° ≤ θ < 80°  
-4.0 dBic 80° ≤ θ < 85°  
-5.0 dBic HORIZON

AMPLIFIER:

NOISE FIGURE: 2.6 dB MAX

IMPEDANCE: 50 OHMS

VSWR: ≤2.0:1

BAND REJECTION: 20 dB @ 250 MHz

POWER HANDLING: 1 WATT

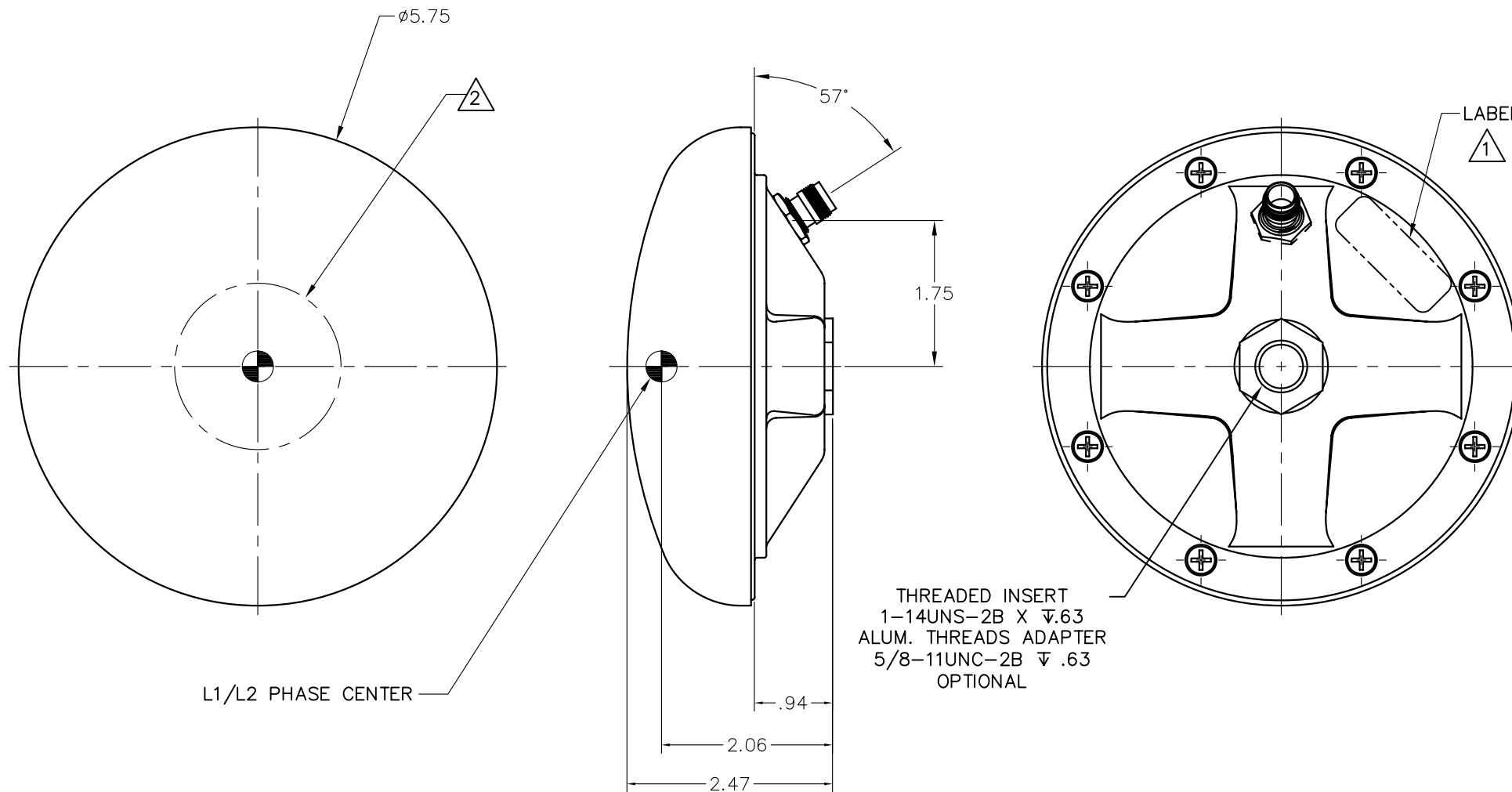
FINISH: FLUID RESISTANT

WEIGHT: 1.00 LBS. MAX

ALTITUDE: 70,000'

OPERATING TEMP: -55°C TO +85°C

DESIGNED TO: D0-160D  
ENV CAT: E1-ABB[CLMY]XSFDZAAACPH[A3][2A]CA



PART NO. DESIGNATION:

AT2775-82W-TNCF-000-RG-39-NM

COLOR  
W = WHITE  
S = SMOKE GRAY  
O = OLIVE DRAB

CONNECTOR  
SMAF = SMA FEMALE  
BNCM = BNC MALE  
TNCF = TNC FEMALE

CABLE LENGTH  
\* 000 = IN INCHES

MAGNET  
NM = NO MAGNET

GAIN (± 2 dB)  
00 = PASSIVE  
14 = 14 dB (28 mA)  
26 = 26 dB (40 mA)  
39 = 39 dB (60 mA)  
XX = OTHER

VOLTAGE  
RG = 4.2 TO 15.0 VDC

\* = OPTION NOT AVAILABLE WITH THIS MODEL  
STANDARD MODEL= AT2775-82W-TNCF-000-RG-39-NM

DO NOT SCALE THIS DRAWING		DRAWN K. SCHNORR 7/9/01		
ALL DIMENSIONS ARE IN INCHES DIMENSIONING & TOLERANCING PER ANSI Y14.5M-1982		CHECKED K. RERKSAWAT 08/13/01		
TOLERANCES: .XX = ±.01 .XXX = ±.005 FRACT = ±1/32 ANG. = ±1/2°		ENGR T. JEENSALUTE 08/13/01	TITLE GPS ANTENNA, L1/L2 AND L-BAND	
SURFACE ROUGHNESS PER ANSI B46.1		MFG D. LEVY 08/25/01		
REMOVE BURRS AND BREAK SHARP EDGES:		Q.A. B. RUBENI 08/13/01	SIZE B	
PART TO BE CLEAN AND OIL FREE		APPROVED G. SHAR 08/13/01		
AT2775-82	UNLESS OTHERWISE SPECIFIED	DRAWN IN ACAD	DRAWING NO. AT2775-82	
USED ON			REV D	
			SCALE NONE   I\CAD\AT2775\82\AT2775-82D	
			SHEET 1 OF 1	