

8 7 6 5 4 3 2 1

NOTES: UNLESS OTHERWISE SPECIFIED.

- △ SIZE, SHAPE, AND CONTENTS OF NAME PLATE ARE SUBJECT TO CHANGE WITHOUT NOTICE.
- △ MOUNTING SCREW AND O-RING SUPPLIED BY AEROANTENNA.
- 3. TOLERANCE: .XX = ±.03
.XXX = ±.010

| REVISIONS | | | |
|--------------------------------------------------|----------------------|----------|----------|
| SYM | DESCRIPTION | DATE | APPROVED |
| D | UPDATED PER ECO 9648 | 03/07/11 | |
| ADDED -TNCFB OPTION; UPDATED VIEW (REMOVE LABEL) | | | |

SPECIFICATION:

FREQUENCY: 1227±10 MHz & 1575±10 MHz
 POLARIZATION: RIGHT HAND CIRCULAR
 IMPEDANCE: 50 OHMS
 VSWR: ≤2.0:1
 WEIGHT: .34 lbs
 ALTITUDE: 20,000'
 OPERATING TEMP: -55°C TO +70°C
 STORAGE TEMP: -57°C TO +70°C
 POWER HANDLING: 1 WATT



PART NO. DESIGNATION:

AT2775-94X-XXXX-XXX-XX-XX-XX

COLOR
 W = WHITE
 B = BLACK
 O = OLIVE DRAB

CONNECTOR
 TNCF = TNC FEMALE
 SMAF = SMA FEMALE
 TNCFB = TNC FEMALE BULKHEAD

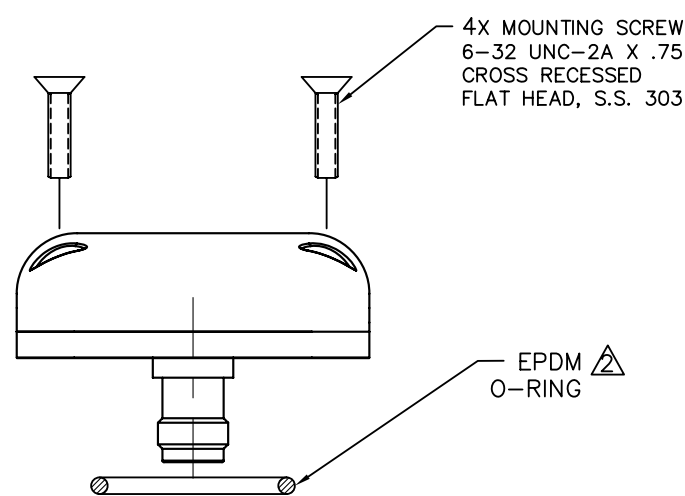
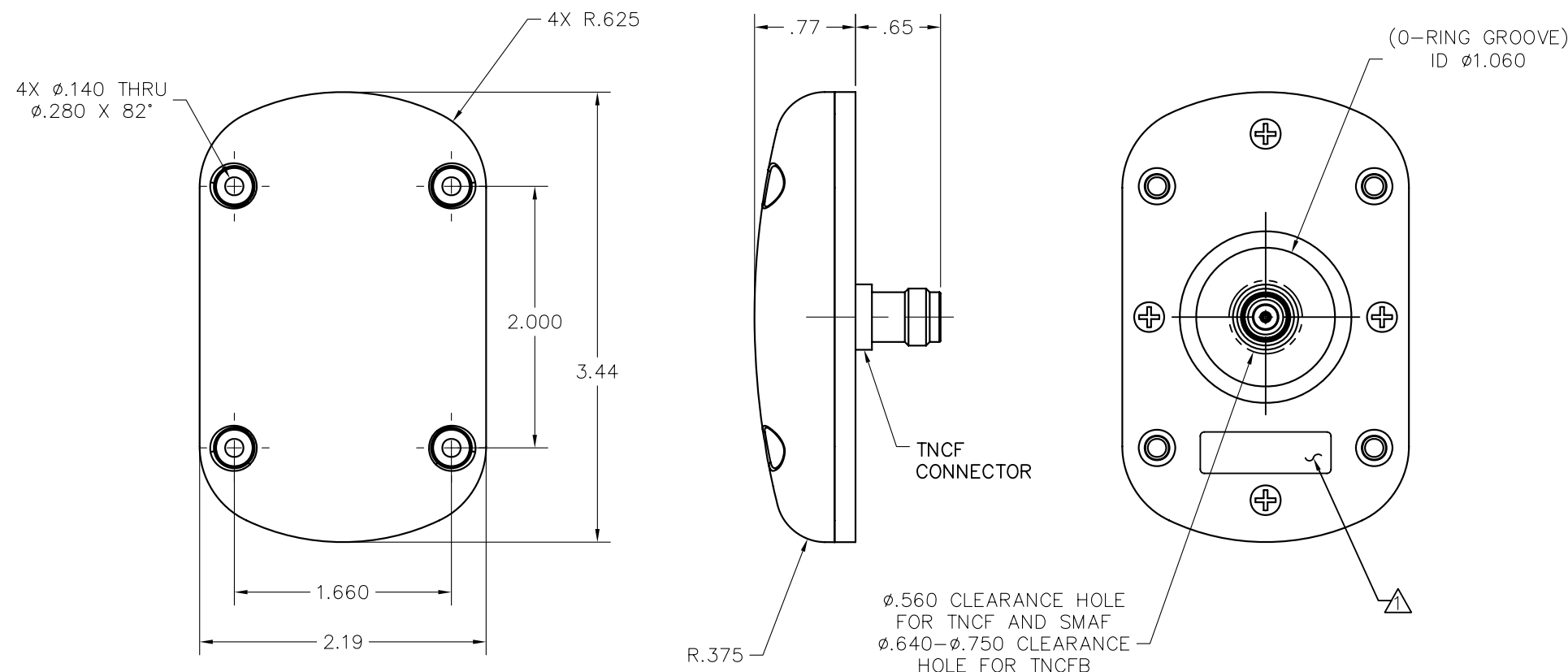
CABLE LENGTH
 000 = IN INCHES

MAGNET
 NM = NO MAGNET

GAIN (± 2 dB)
 00 = PASSIVE
 12 = PASSIVE
 26 = 12 dB
 26 dB (38 mA)

VOLTAGE
 00 = PASSIVE
 03 = 3 VDC(+3 TO +5.5 VDC)

* = OPTION NOT AVAILABLE WITH THIS MODEL
 STANDARD MODEL= AT2775-94W-TNCF-000-03-26-NM



| | | | |
|-------------------------------------------------------------------------------|----------|-----------|----------|
| DO NOT SCALE THIS DRAWING | DRAWN | S. VALDES | 11/27/01 |
| REMOVE BURRS AND BREAK SHARP EDGES: | CHECKED | | |
| PART TO BE CLEAN AND OIL FREE | ENGR | S. VALDES | 01/08/02 |
| ALL DIMENSIONS ARE IN INCHES. DIMENSIONING & TOLERANCING PER ASME Y14.5M-1994 | MFG | D. LEVY | 01/12/02 |
| TOLERANCES: .XX = ±.01 FRACT = ±1/32 .XXX = ±.005 ANG. = ±1/2° | Q.A. | B. RUBENI | 01/11/02 |
| ✓ SURFACE ROUGHNESS MACHINED PARTS V63 MOLDED PARTS V32 | APPROVED | G. SHAR | 01/09/02 |
| HOLE DIA. TOLERANCE | DRAWN IN | CAD | |
| .0135 - .125 +.004 -.001 | | | |
| .126 - .250 +.005 -.001 | | | |
| .251 - .500 +.006 -.001 | | | |
| .501 - .750 +.008 -.001 | | | |

AeroAntenna Technology Inc
 AS9100 CERTIFIED CO.

TITLE: L1/L2 AIRBORNE

| | | | |
|------|-----------|-------------|-----|
| SIZE | CAGE CODE | DRAWING NO. | REV |
| B | OUVG2 | AT2775-94 | D |

SCALE NONE I: \CAD\AT2775\94\AT2775-94_D SHEET 1 OF 1

PROPRIETARY NOTE: This document contains information of AeroAntenna Technology Inc. (AAT). Neither the document nor said proprietary information shall be published, reproduced, copied, disclosed or used for any other purpose other than consideration of document without the express written permission of a duly authorized representative of said AeroAntenna Technology Inc.

NEXT ASSY

AT2775-94

A