

PROPRIETARY NOTICE: This document contains proprietary information of AAT Inc. neither the document nor said proprietary information shall be published, reproduced, copied, disclosed or used for any purpose other than consideration of this document without the express written permission of a duly authorized representative of said Company.

REVISIONS			
SYM	DESCRIPTION	DATE	APPROVED
D	SEE ECO 3277	12/28/98	

- NOTES: UNLESS OTHERWISE SPECIFIED.
- LOGO OPTIONAL.
 - LABEL SIZE, SHAPE, AND CONTENTS SUBJECT TO CHANGE WITHOUT NOTICE.
 - TOLERANCES: .XX ± .03
.XXX ± .010

SPECIFICATION:

FREQUENCY: 1227 ±10 MHz
1575 ±10 MHz

POLARIZATION: RIGHT HAND CIRCULAR

AXIAL RATIO: 3 dB MAX

RADIATION COVERAGE: 4.0 dBic $\theta = 0^\circ$
-1.0 dBic $0^\circ < \theta < 75^\circ$
-2.5 dBic $75^\circ \leq \theta < 80^\circ$
-4.5 dBic $80^\circ \leq \theta < 85^\circ$
-7.5 dBic $\theta = 90^\circ$

AMPLIFIER: SPECIFY

GAIN: 2.5 dB MAX

NOISE FIGURE: 50 OHMS

IMPEDANCE: ≤2.0:1

VSWR: 35 dB

BAND REJECTION: 1 WATT

POWER HANDLING: WEATHERABLE POLYMER

FINISH: SPECIFY

CONNECTOR: 15 OZ. MAX

WEIGHT: 20,000'

ALTITUDE: -40°C TO +70°C

OPERATING TEMP: DO-160

PART NO. DESIGNATION:

AT2775-19X-XXXX-XXX-XX-XX-XX

COLOR
W = WHITE
* S = SMOKE GRAY
O = OLIVE DRAB
* B = BLUE

CONNECTOR
* TNCM = TNC MALE
TNCF = TNC FEMALE
* BNCM = BNC MALE
BNCF = BNC FEMALE
* MCXM = MCX MALE
MCXF = MCX FEMALE
* SMAM = SMA MALE
* SMAF = SMA FEMALE
* NTPM = N TYPE MALE
NTPF = N TYPE FEMALE
* 0000 = NO TERMINATION

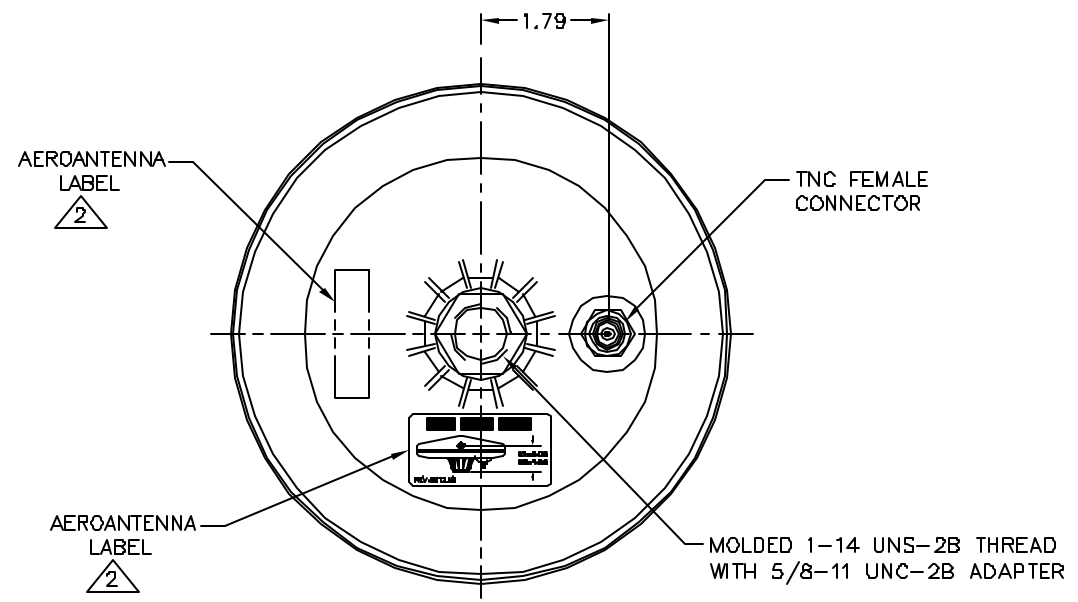
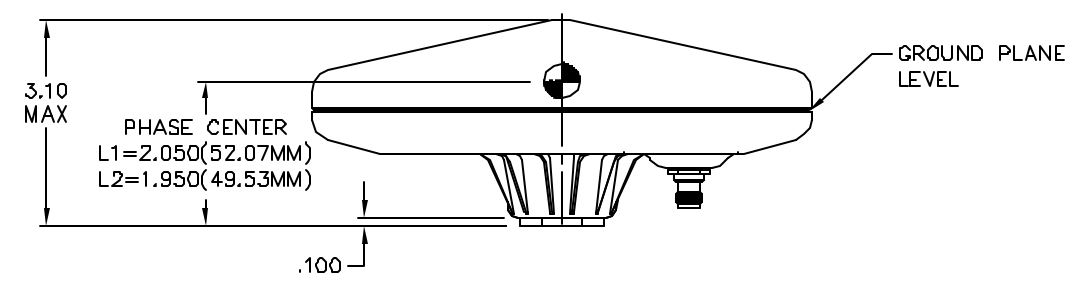
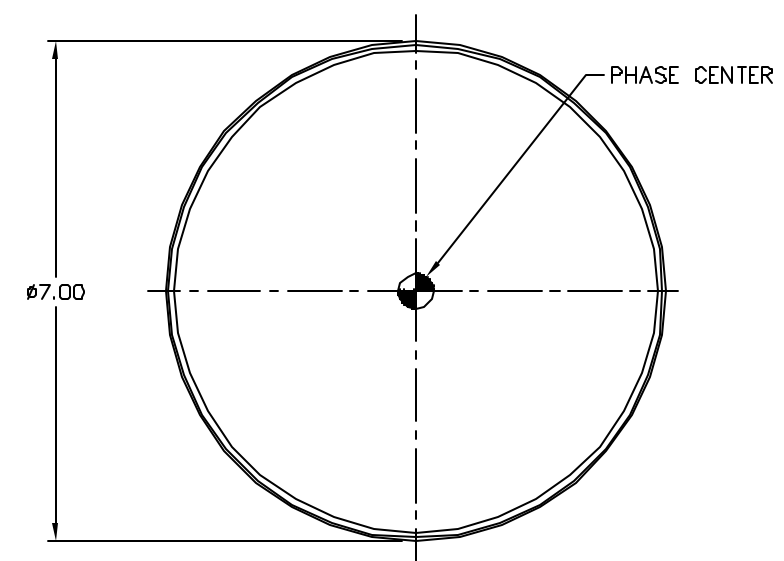
CABLE LENGTH
* 000 = IN INCHES

MAGNET
NM = NO MAGNET
* IM = INTERNAL
* RM = REMOVABLE
* HD = HEAVY DUTY

GAIN (± 2 dB)
00 = PASSIVE
12 = 12 dB (20 mA)
26 = 26 dB (35 mA)
36 = 36 dB (50 mA)
XX = OTHER

VOLTAGE
00 = PASSIVE
05 = +5 VDC
RG = +5 TO +18 VDC
XX = OTHER

* = OPTION NOT AVAILABLE WITH THIS MODEL
STANDARD MODEL = AT2775-19W-TNCF-000-RG-26-NM



DO NOT SCALE THIS DRAWING ALL DIMENSIONS ARE IN INCHES DIMENSIONING & TOLERANCING PER ANSI Y14.5M-1982 TOLERANCES: .XX ± .01 .XXX ± .005 FRACT = ±1/32 ANG. = ±1/2° ✓ SURFACE ROUGHNESS PER ANSI B46.1 REMOVE BURRS AND BREAK SHARP EDGES: PART TO BE CLEAN AND OIL FREE	DRAWN S. VALDES 05/08/97		TITLE GPS ANTENNA		
	CHECKED E. GALBAN 06/13/97				
	ENGR S. VALDES 06/14/97				
	QA B. RUBENI 06/24/97				
APPROVED	SCALE NONE	SIZE B	CAGE CODE OUVG2	DRAWING NO. AT2775-19	REV D
USED ON	UNLESS OTHERWISE SPECIFIED	DRAWN IN ACAD	SCALE NONE	AT2775-19D	SHEET 1 OF 1

AT2775-19

D

C

B

A

D

C

B

A