

PROPRIETARY NOTICE: This document contains proprietary information of AAT Inc. neither the document nor said proprietary information shall be published, reproduced, copied, disclosed or used for any purpose other than consideration of this document without the express written permission of a duly authorized representative of said Company.

REVISIONS			
SYM	DESCRIPTION	DATE	APPROVED
C	SEE ECO 5275	10/02/02	

NOTES: UNLESS OTHERWISE SPECIFIED.
 1. LABEL SIZE, SHAPE, CONTENTS AND LOCATION SUBJECT TO CHANGE WITHOUT NOTICE.
 2. TOLERANCE: .XX = .03
 .XXX = .010

SPECIFICATION:

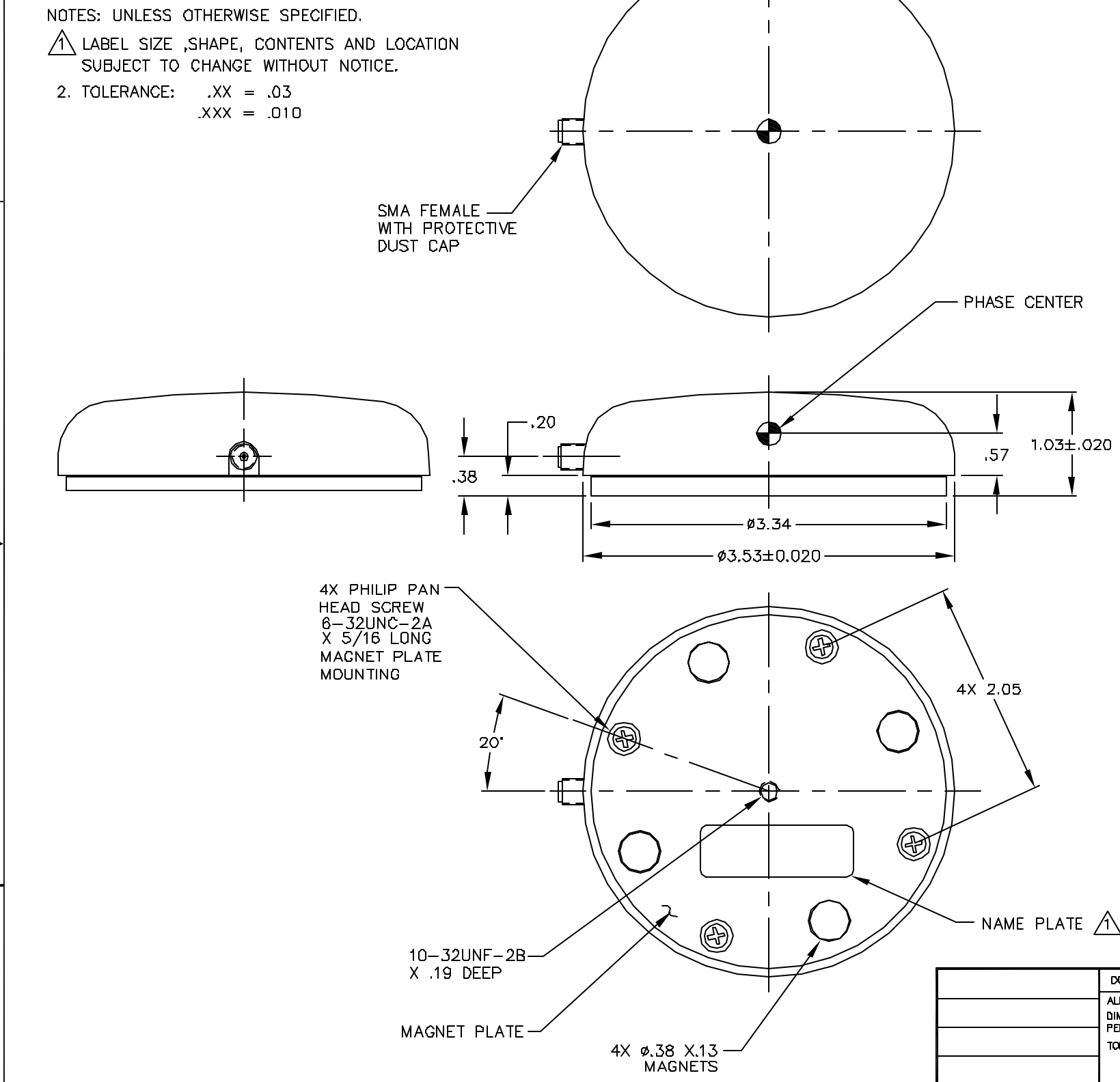
FREQUENCY: 1575 MHz ±10 MHz & 1227 MHz ±10 MHz
 POLARIZATION: RIGHT HAND CIRCULAR
 AXIAL RATIO: 2.5 dB MAX
 RADIATION COVERAGE: 4.0 dBic $\theta = 0^\circ$
 -1.0 dBic $0^\circ < \theta < 75^\circ$
 -2.5 dBic $75^\circ \leq \theta < 80^\circ$
 -4.5 dBic $80^\circ \leq \theta < 85^\circ$
 -7.5 dBic $\theta = 90^\circ$

AMPLIFIER:
 GAIN: 24.5 dB TO 30.5 dB
 NOISE FIGURE: 2.5 dB MAX
 VOLTAGE: +2.8 TO +5.0 VDC
 LOAD CURRENT: 30 TO 60 MILLIAM (mA)

IMPEDANCE: 50 OHM
 VSWR: ≤2.0:1
 BAND REJECTION: 35 dB
 POWER HANDLING: 1 WATT
 CONNECTOR: SMA FEMALE
 WEIGHT: 10.5 OUNCES
 MATERIAL: A380 ALUMINUM ALLOY CASTING
 ABS HIGH TEMP., HIGH IMPACT RADOME

FINISH: RADOME COLOR, LUSTERLESS BLACK

ALTITUDE: 35,000'
 OPERATING TEMP: -40°C TO +70°C



DO NOT SCALE THIS DRAWING ALL DIMENSIONS ARE IN INCHES DIMENSIONING & TOLERANCING PER ANSI Y14.5M-1982 TOLERANCES: -XX -+.01 +XXX -+.005 FRACT = ±1/32 ANG. = ±1/2° ✓ SURFACE ROUGHNESS PER ANSI B46.1 REMOVE BURRS AND BREAK SHARP EDGES: PART TO BE CLEAN AND OIL FREE	DRAWN T. JEENSALUTE 12/6/96				
UNLESS OTHERWISE SPECIFIED	CHECKED D. LEVY 6/18/97				
USED ON	ENGR T. JEENSALUTE 6/18/97	TITLE L1/L2 GPS ANTENNA			
	Q.A. B. RUBENI 6/18/97	SIZE B	CAGE CODE OUVG2	DRAWING NO. AT2775-12	REV C
	APPROVED G. SHAR 02/09/00	SCALE NONE		SHEET 1 OF 1	

AT2775-12