

8 | 7 | 6 | 5 | 4 | 3 | 2 | 1

REVISIONS			
SYM	DESCRIPTION	DATE	APPROVED
A	RELEASED TO PRODUCTION PER ECO 9234	05/25/10	

NOTES: UNLESS OTHERWISE SPECIFIED.

⚠ LABEL SIZE, SHAPE AND CONTENTS ARE SUBJECT TO CHANGE WITHOUT NOTICE.

2. TOLERANCES: .XX = ±.03  
.XXX = ±.010



AT2775-264

**SPECIFICATION:**

FREQUENCY: 1575 MHz ±10 MHz (L1)  
1227 MHz ±10 MHz (L2)

POLARIZATION: RIGHT HAND CIRCULAR

AXIAL RATIO: 3 dB MAX @ BORESIGHT

RADIATION COVERAGE: L1 + 2.0 dBic  
L2 + 1.0 dBic

AMPLIFIER:

GAIN: 26± 3dB

NOISE FIGURE: 2.5 dB MAX

IMPEDANCE: 50 OHM

VSWR: ≤2.0:1

POWER HANDLING: 1 WATT

OPERATING VOLTAGE: 3.3 VDC NOMINAL

CURRENT: 60 mA Max

CONNECTOR: TNC MALE (PLUG)

WEIGHT: 3.0 OZ

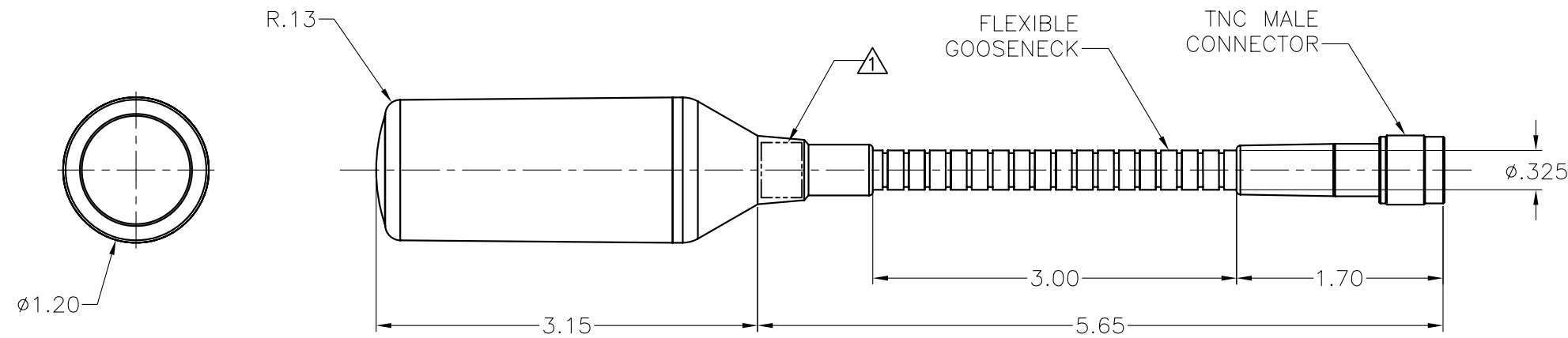
ALTITUDE:

NON-OPERATIONAL: 40,000'

OPERATIONAL: 30,000'

OPERATING TEMP.: -40°C TO +55°C

STORAGE TEMP.: -51°C TO +71°C



DO NOT SCALE THIS DRAWING	DRAWN	 AS9100 CERTIFIED CO.			
REMOVE BURRS AND BREAK SHARP EDGES:	A. GUTIERREZ 05/25/10				
PART TO BE CLEAN AND OIL FREE	CHECKED	TITLE			
ALL DIMENSIONS ARE IN INCHES					
DIMENSIONING & TOLERANCING PER ASME Y14.5M-1994	ENGR	GPS ANTENNA			
TOLERANCES:	KRIT RERKSAWAT 05/28/10				
.XX = ±.03 FRACT = ±1/32	MFG	SIZE	CAGE CODE	DRAWING NO.	REV
.XXX = ±.005 ANG. = ±1/2°	DANNY LEVY 06/10/10	B	OUVG2	AT2775-264	A
✓ SURFACE ROUGHNESS MACHINED PARTS V63 MOLDED PARTS V32	Q.A.	SCALE	NONE I:\CAD\AT2775\264\AT2775-264_A		SHEET 1 OF 1
HOLE DIA. TOLERANCE	B. RUBENI 06/10/10				
.0135 - .125 +.004 - .001	APPROVED				
.126 - .250 +.005 - .001	YOUSI Z. 08/05/10				
.251 - .500 +.006 - .001	DRAWN IN				
.501 - .750 +.008 - .001	ACAD				

PROPRIETARY NOTE: This document contains information of AeroAntenna Technology Inc. (AAT). Neither the document nor said proprietary information shall be published, reproduced, copied, disclosed or used for any other purpose other than consideration of document without the express written permission of a duly authorized representative of said AeroAntenna Technology Inc.

NEXT ASSY