

REVISIONS			
SYM	DESCRIPTION	DATE	APPROVED
G	SEE ECO 9330 & 9332	07/29/10	
REVISED RADOME DIMENTIONS. REVISED CHOKE RING VIEW.			

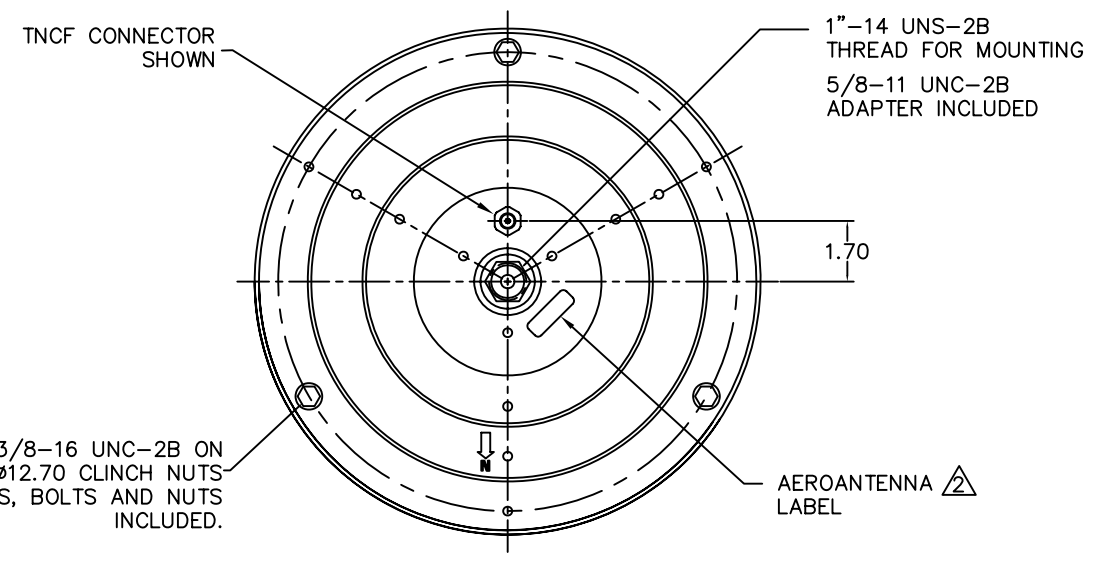
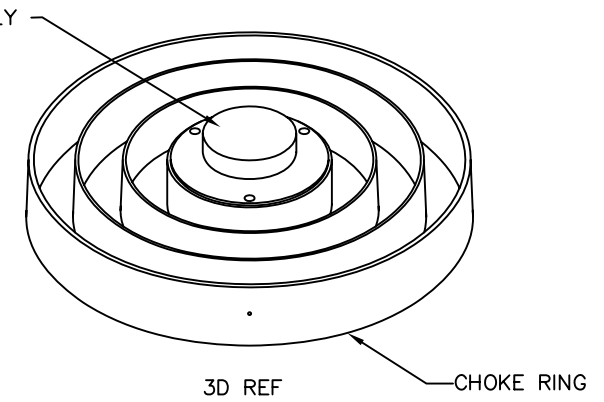
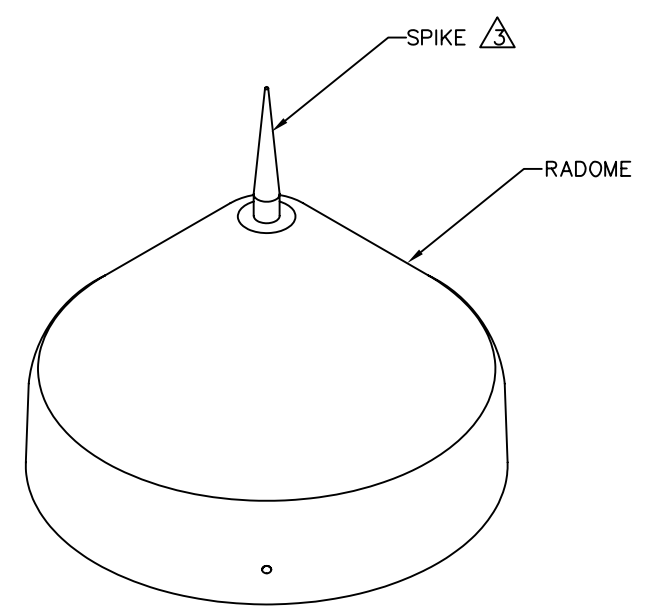
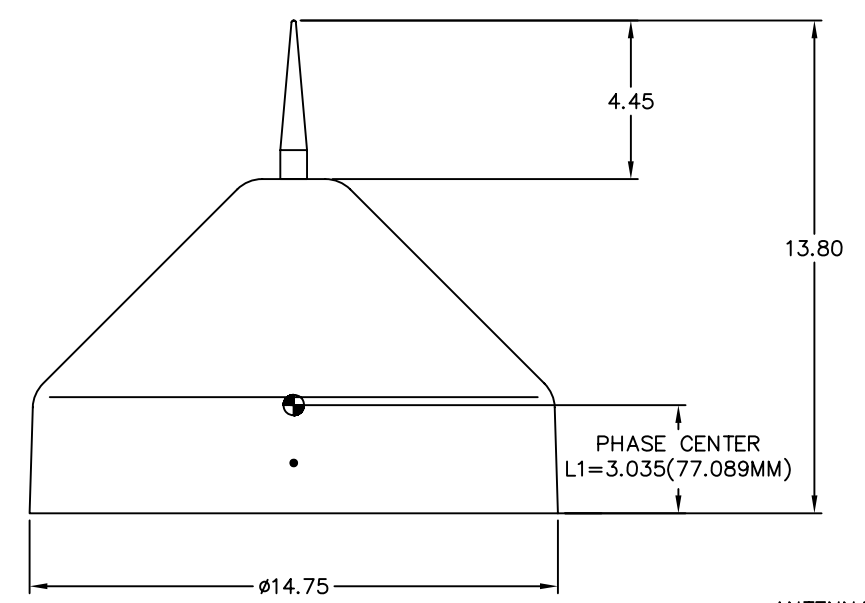
NOTES: UNLESS OTHERWISE SPECIFIED.

- ▲ LOGO OPTIONAL
- ▲ LABEL SIZE, SHAPE AND CONTENTS SUBJECT TO CHANGE WITHOUT NOTICE.
- ▲ SPIKE, NYLON NUT AND HARDWARE SUPPLIED SEPARATELY.
- 4. TOLERANCE: .XX ± .03
.XXX ± .010

SPECIFICATION:

FREQUENCY: 1575 ±5 MHz
 POLARIZATION: RIGHT HAND CIRCULAR
 AXIAL RATIO: 3 dB MAX.
 RADIATION COVERAGE: 4.0 dBic 0° = 0°
 -1.0 dBic 0° < θ < 75°
 -2.5 dBic 75° ≤ θ < 80°
 -4.5 dBic 80° ≤ θ < 85°
 -7.5 dBic θ = 90°

AMPLIFIER:
 NOISE FIGURE: 2.5 dB MAX.
 IMPEDANCE: 50 OHMS
 VSWR: ≤2.0:1
 BAND REJECTION: 35 dB
 POWER HANDLING: 1 WATT
 FINISH: POLYURETHANE ENAMEL
 COLOR: WHITE
 WEIGHT: 10 Lbs. MAX
 ALTITUDE: 20,000'
 OPERATING TEMP.: -40°C TO +70°C
 DESIGNED TO: DO-160C



PART NO. DESIGNATION:

AT575-90W-TNCF-000-RG-26-NM

COLOR
W = WHITE

CONNECTOR
TNCF = TNC FEMALE
NTPF = NTP FEMALE

CABLE LENGTH
000 = IN INCHES

MAGNET
NM = NO MAGNET

GAIN (± 2 db)
12 = 12 DB (20 mA)
26 = 26 db (35 mA)
36 = 36 db (50 mA)
XX = OTHER

VOLTAGE
RG = +5 TO +18 VDC
XX = OTHER

STANDARD MODEL= AT575-90W-TNCF-000-RG-26-NM

PROPRIETARY NOTE: This document contains information of AeroAntenna Technology Inc. (AAT). Neither the document nor said proprietary information shall be published, reproduced, copied, disclosed or used for any other purpose other than consideration of document without the express written permission of a duly authorized representative of said AeroAntenna Technology Inc.

DO NOT SCALE THIS DRAWING	DRAWN	J. AMADO	9/11/95
REMOVE BURRS AND BREAK SHARP EDGES:	CHECKED		
PART TO BE CLEAN AND OIL FREE	ENGR	J. AMADO	09/11/95
ALL DIMENSIONS ARE IN INCHES	MFG	DANNY LEVY	9/11/95
DIMENSIONING & TOLERANCING PER ASME Y14.5M-1994	Q.A.	B. RUBENI	9/11/95
TOLERANCES: .XX = ±.01 FRACT = ±1/32 .XXX = ±.005 ANG. = ±1/2°	APPROVED	YOUSI Z.	08/13/10
✓ SURFACE ROUGHNESS MACHINED PARTS V63 MOLDED PARTS V32	DRAWN IN	CAD	
HOLE DIA. TOLERANCE			
.0135 - .125 +.004/-0.001			
.126 - .250 +.005/-0.001			
.251 - .500 +.006/-0.001			
.501 - .750 +.008/-0.001			

AeroAntenna Technology Inc
AS9100 CERTIFIED CO.

TITLE: GPS ANTENNA

SIZE	CAGE CODE	DRAWING NO.	REV
B	OUVG2	AT575-90	G

SCALE: NONE | I:\CAD\AT575\90\AT575-90_G | SHEET 1 OF 1

NEXT ASSY