

8 | 7 | 6 | 5 | 4 | 3 | 2 | 1

PROPRIETARY NOTICE: This document contains proprietary information of AAT Inc. neither the document nor any proprietary information shall be published, reproduced, copied, disclosed or used for any purpose other than consideration of this document without the express written permission of a duly authorized representative of said Company.

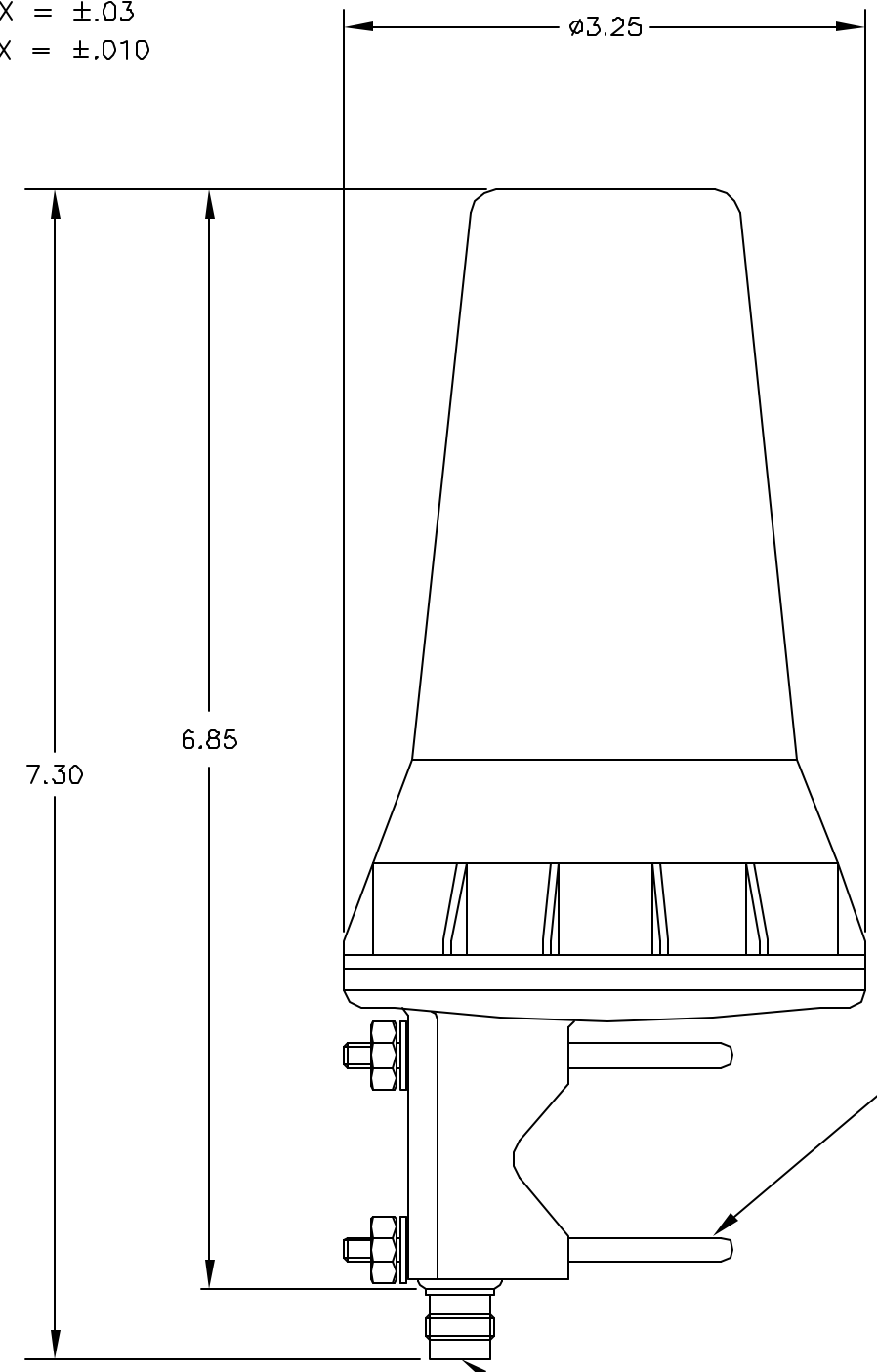
REVISIONS			
SYM	DESCRIPTION	DATE	APPROVED
D	SEE ECO 3198	11/25/98	

**SPECIFICATION:**

FREQUENCY: 1616-1626 MHz  
 POLARIZATION: RIGHT HAND CIRCULAR  
 AXIAL RATIO: 3 dB MAX  
 RADIATION COVERAGE: +.04 dBic  $\theta = 0^\circ$   
 +1.4 dBic  $0^\circ < \theta = 45^\circ$   
 -0.25 dBic  $75^\circ \leq \theta = 82^\circ$   
 IMPEDANCE: 50 OHMS  
 VSWR:  $\leq 2.0:1$   
 POWER HANDLING: 1 WATT  
 FINISH: WEATHERABLE POLYMER, WHITE  
 CONNECTOR: TNC FEMALE  
 WEIGHT: 8 OZ  
 ALTITUDE: 20,000'  
 OPERATING TEMP: -40°C TO +85°C

NOTES: UNLESS OTHER WISE SPECIFIED.

- MOUNTING HARDWARE SUPPLIED BY AEROANTENNA.
- U-BOLT ASSEMBLY WILL ACCEPT .75-1.00 OD PIPE, TORQUE NUTS TO 4-6 IN/LBS.
- LOGO OPTIONAL.
- TOLERANCE: .XX =  $\pm .03$   
.XXX =  $\pm .010$



**PART NO DESIGNATION:**

AT1621-73X-XXXX-XXX-XX-XX-XX

- COLOR  
 W = WHITE  
 \* B = BLACK  
 \* O = OLIVE DRAB
- CONNECTOR  
 TNCM = TNC MALE  
 TNCF = TNC FEMALE  
 BNCM = BNC MALE  
 BNCF = BNC FEMALE  
 \* MCXM = MCX MALE  
 \* MCXF = MCX FEMALE  
 \* SMAM = SMA MALE  
 \* SMAF = SMA FEMALE  
 \* NTPM = N TYPE MALE  
 \* NTPF = N TYPE FEMALE  
 \* O000 = NO TERMINATION
- CABLE LENGTH  
 \* 000 = IN INCHES
- MAGNET  
 NM = NO MAGNET  
 \* IM = INTERNAL  
 \* RM = REMOVABLE  
 \* HD = HEAVY DUTY
- GAIN ( $\pm 2$  dB)  
 00 = PASSIVE  
 \* 12 = 12 dB (20 mA)  
 \* 26 = 26 dB (35 mA)  
 \* 36 = 36 dB (50 mA)  
 \* XX = OTHER
- VOLTAGE  
 00 = PASSIVE  
 \* 05 = 5 VDC  
 \* RG = 5-18 VDC  
 \* XX = OTHER

\* = OPTION NOT AVAILABLE WITH THIS MODEL

STANDARD MODEL= AT1621-73W-TNCF-000-00-00-NM  
 (MOTOROLA KIT NO. SAF5350A)

MOTOROLA	DO NOT SCALE THIS DRAWING ALL DIMENSIONS ARE IN INCHES DIMENSIONING & TOLERANCING PER ANSI Y14.5M-1982 TOLERANCES: .XX = $\pm .04$ .XXX = $\pm .005$ FRACT = $\pm 1/32$ ANG. = $\pm 1/2^\circ$ ✓ SURFACE ROUGHNESS PER ANSI B46.1 REMOVE BURRS AND BREAK SHARP EDGES. PART TO BE CLEAN AND OIL FREE	DRAWN A. DEVERA 08/05/98	AeroAntenna Technology Inc	
		CHECKED D. KIM 08/27/98	TITLE IRIDIUM ANTENNA, FIXED SITE	
		ENGR S. VALDES 08/27/98	SIZE B	CAGE CODE OUVG2
		QA B. RUBENI 08/27/98	DRAWING NO. AT1621-73	
		APPROVED G. SHACHAR 08/28/98	REV D	
USED ON	UNLESS OTHERWISE SPECIFIED	DRAWN IN ACAD	SCALE NONE	SHEET 1 OF 1

AT1621-73

D

C

B

A

D

C

B

A