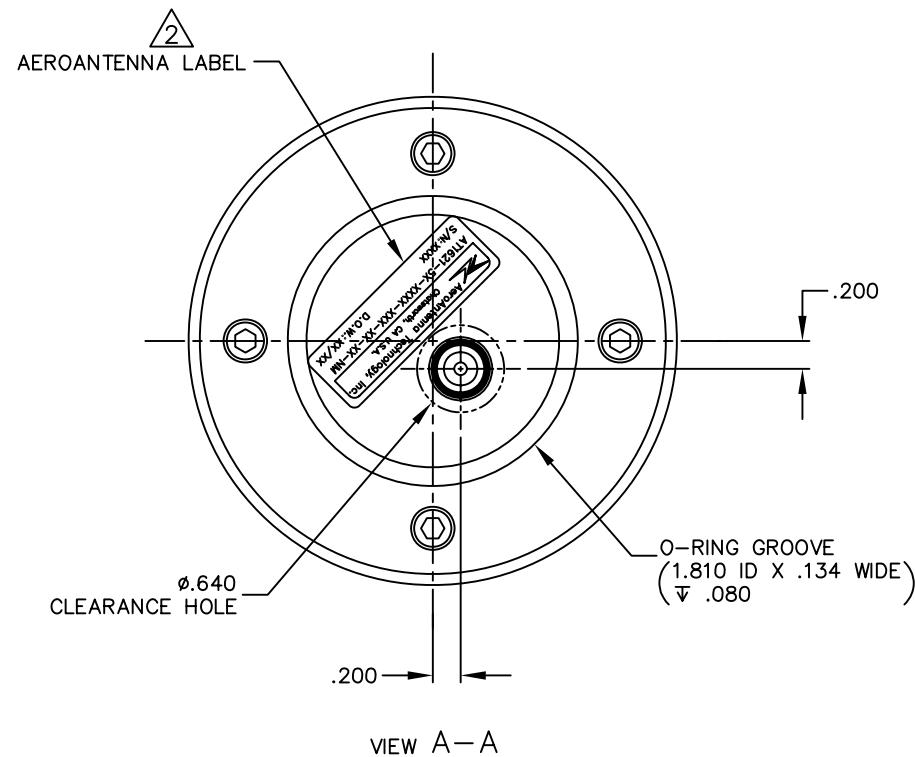
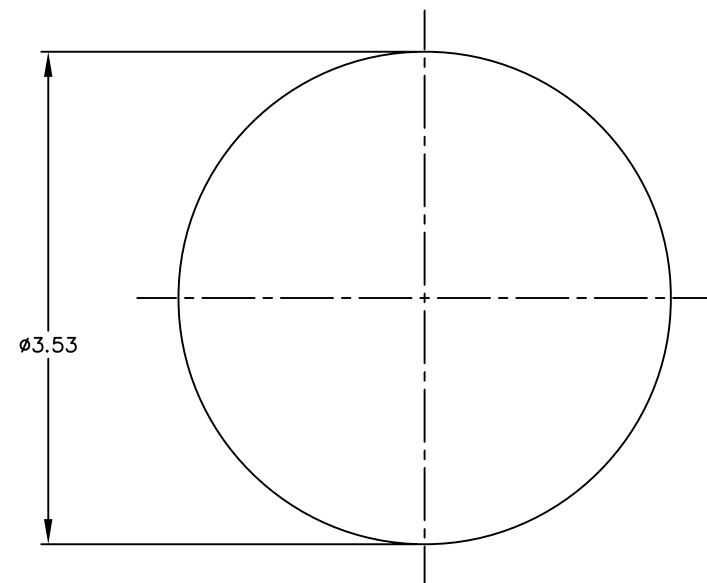


PROPRIETARY NOTICE: This document contains proprietary information of AeroAntenna Technology, Inc. (AAT). Neither the document nor said proprietary information shall be published, reproduced, copied, disclosed or used for any purpose other than consideration of this document without the express written permission of a duly authorized representative of said AeroAntenna Technology, Inc.

REVISIONS			
SYM	DESCRIPTION	DATE	APPROVED
G	UPDATE PER ECO 9031	12/16/09	
ADDED UNDER SPECIFICATIONS POWER HANDLING: 10 WATTS			

NOTES: UNLESS OTHERWISE SPECIFIED.

- ① O-RING, WAVE WASHER AND HEX NUT SUPPLIED BY AEROANTENNA.
- ② LABEL SIZE, SHAPE AND CONTENTS SUBJECT TO CHANGE WITHOUT NOTICE.
- 3. TOLERANCE: .XX = ±.03
.XXX = ±.010



SPECIFICATION:

FREQUENCY: 1616-1626 MHz

POLARIZATION: RIGHT HAND CIRCULAR

AXIAL RATIO: 3dB MAX

RADIATION COVERAGE: 4.0 dBic $\theta = 0^\circ$
-1.0 dBic $0^\circ < \theta < 75^\circ$
-2.5 dBic $75^\circ \leq \theta < 80^\circ$
-4.5 dBic $80^\circ \leq \theta < 85^\circ$
-7.5 dBic $\theta = 90^\circ$

IMPEDANCE: 50 OHMS

VSWR: ≤2.0:1

POWER HANDLING: 10 WATTS

WEIGHT: 10 OZ MAX

MATERIAL: BASE-A380 AL CASTING ALLOY
RADOME-HIGH IMPACT XENYO

ALTITUDE: 20,000'

OPERATING TEMP: -40°C TO +85°C

PART NO. DESIGNATION:
AT1621-5X-XXXX-XXX-XX-XX-XX

COLOR _____
B = BLACK

CONNECTOR _____
TNCM = TNC MALE

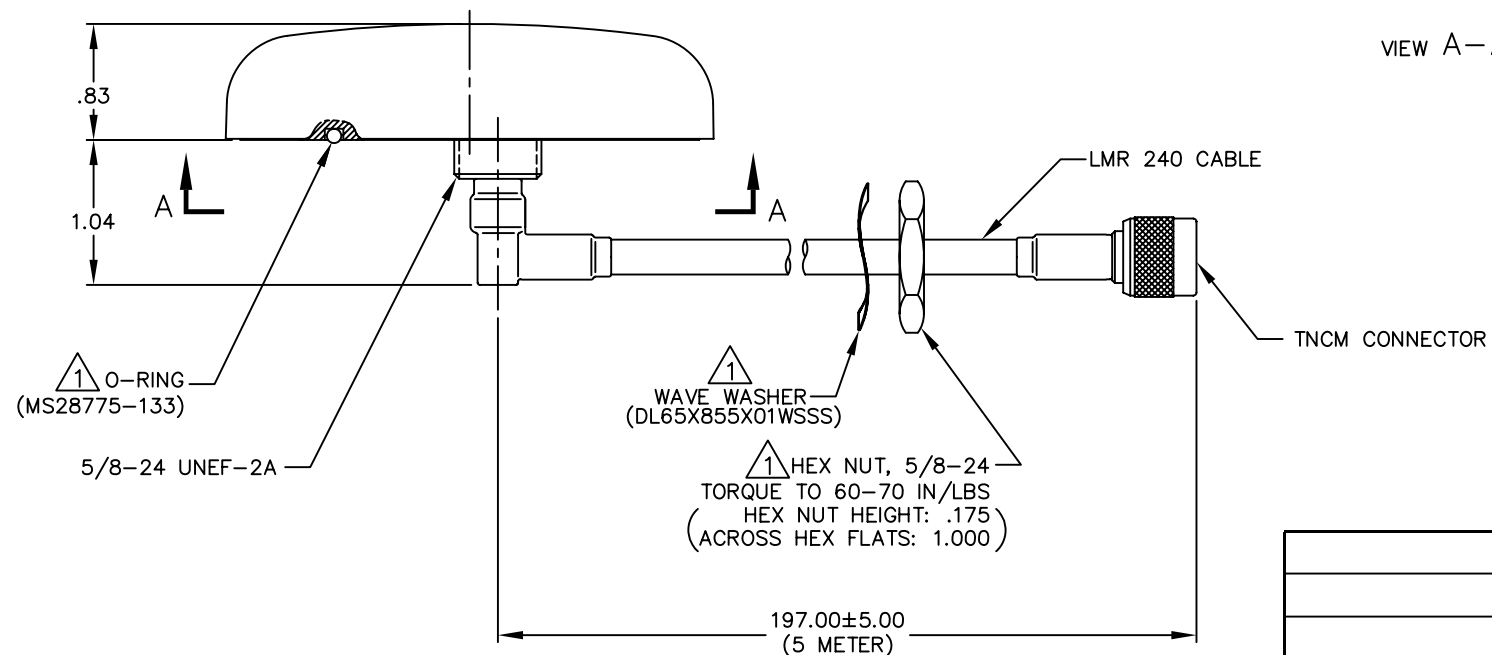
CABLE LENGTH _____
197 = 197 INCHES

MAGNET _____
NM = NO MAGNET

GAIN (± 2 dB) _____
00 = PASSIVE

VOLTAGE _____
00 = PASSIVE

* = OPTION NOT AVAILABLE WITH THIS MODEL
STANDARD MODEL= AT1621-5B-TNCM-197-00-00-NM



DO NOT SCALE THIS DRAWING	DRAWN	R. RICASA	08/05/98
REMOVE BURRS AND BREAK SHARP EDGES:	CHECKED	D. KIM	08/24/98
PART TO BE CLEAN AND OIL FREE	ENGR	S. VALDES	08/27/98
ALL DIMENSIONS ARE IN INCHES	MFG	D. LEVY	10/29/08
DIMENSIONING & TOLERANCING PER ASME Y14.5M-1994	Q.A.	B. RUBENI	08/27/98
TOLERANCES:	APPROVED	G. SHAR	08/28/98
.XX ±.01 FRACT = ±1/32	DRAWN IN	MCAD	
.XXX ±.005 ANG. = ±1/2°			
✓ SURFACE ROUGHNESS MACHINED PARTS V63 MOLDED PARTS V32			
HOLE DIA. TOLERANCE			
.0135 - .125 ±.004			
.126 - .250 ±.005			
.251 - .500 ±.006			
.501 - .750 ±.008			

AeroAntenna Technology Inc
AS9100 CERTIFIED CO.

TITLE: IRIDIUM ANTENNA

SIZE: B CAGE CODE: OUVG2 DRAWING NO.: AT1621-5 REV: G

SCALE: NONE I: \CAD\AT1621\ -05\AT1621-5_G SHEET 1 OF 1

