

8 7 6 5 4 3 2 1

REVISIONS			
SYM	DESCRIPTION	DATE	APPROVED
A	RELEASE PER ECO 9081	02/02/10	



NOTES: UNLESS OTHERWISE SPECIFIED.  
 1. SIZE, SHAPE, AND CONTENTS OF NAME PLATE ARE SUBJECT TO CHANGE WITHOUT NOTICE.  
 2. TOLERANCE: .XX = ±.03  
 .XXX = ±.010

SPECIFICATION:

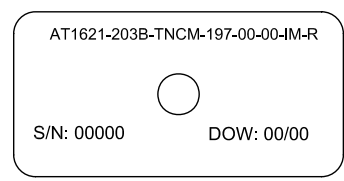
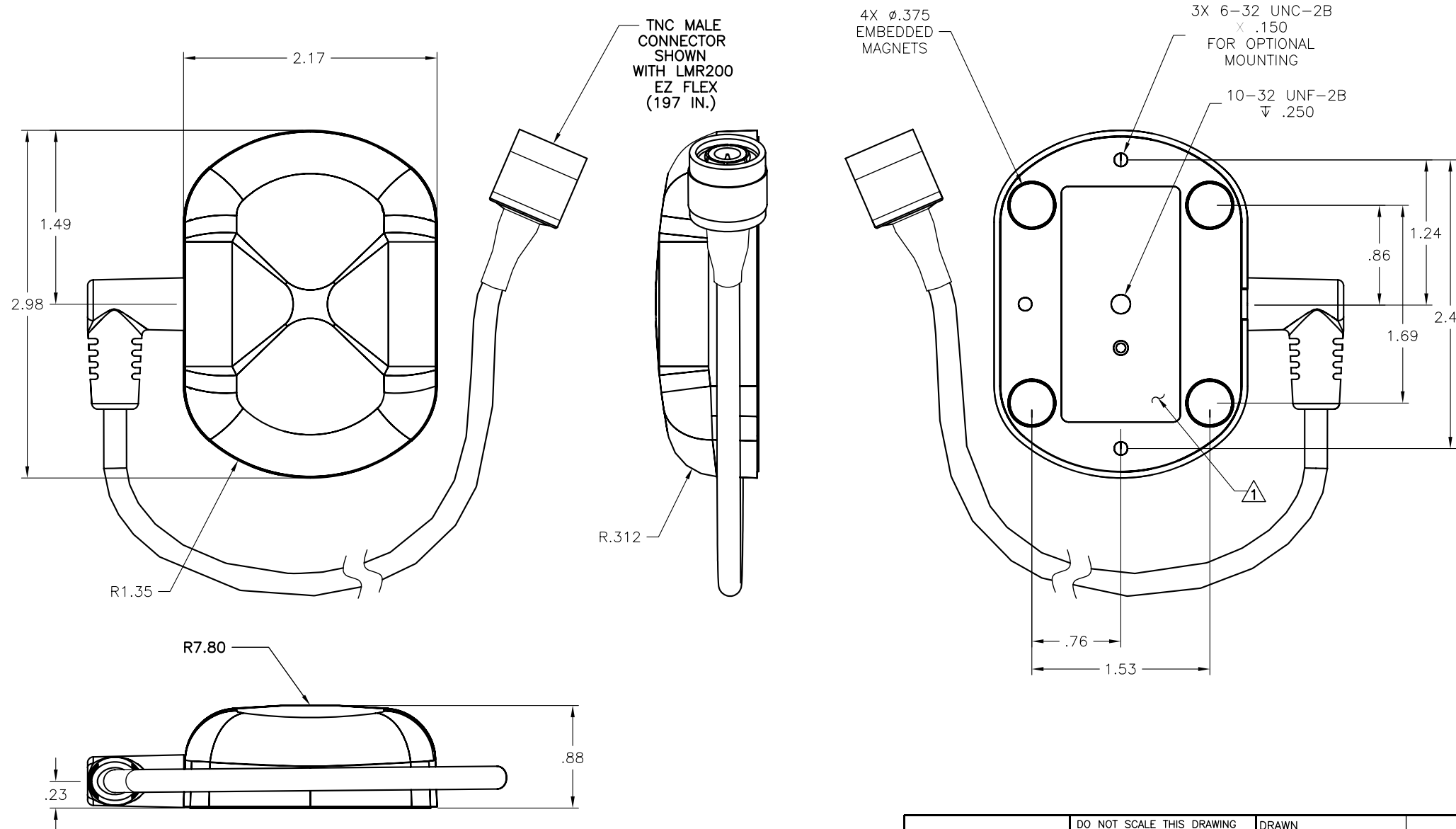
FREQUENCY: 1616-1626 MHz  
 POLARIZATION: RIGHT HAND CIRCULAR  
 AXIAL RATIO: 3 dB MAX @ BORESIGHT  
 RADIATION COVERAGE: TBD  
 IMPEDANCE: 50 OHMS  
 VSWR: ≤2.0:1  
 WEIGHT: TBD  
 MATERIAL: RADOME-XENOY, HIGH IMPACT & TEMP.  
 ALTITUDE: 20,000'  
 OPERATING TEMP: -40°C TO +85°C

PART NO. DESIGNATION:

AT1621-203B-XXXX-XXX-XX-XX-XX-R

COLOR \_\_\_\_\_ ROHS  
 B = BLACK  
 CONNECTOR \_\_\_\_\_ MAGNET  
 TNCM = TNC MALE \* NM = NO MAGNET  
 \* TNCF = TNC FEMALE IM = INTERNAL MAGNET  
 BNCM = BNC MALE  
 \* BNCF = BNC FEMALE  
 MCXM = MCX MALE  
 \* MCXF = MCX FEMALE  
 SMAM = SMA MALE  
 \* SMAF = SMA FEMALE  
 \* NTPM = N TYPE MALE  
 \* NTPF = N TYPE FEMALE  
 \* 0000 = NO TERMINATION  
 GAIN (± 2 db)  
 00 = PASSIVE  
 VOLTAGE  
 00 = PASSIVE  
 CABLE LENGTH  
 000 = IN INCHES

\* = OPTION NOT AVAILABLE WITH THIS MODEL  
 RIGHT ANGLE CONNECTOR ADD "R" TO CONNECTOR NOTATION.  
 STANDARD MODEL= AT1621-203B-TNCM-197-00-00-IM-R



DO NOT SCALE THIS DRAWING REMOVE BURRS AND BREAK SHARP EDGES: PART TO BE CLEAN AND OIL FREE ALL DIMENSIONS ARE IN INCHES DIMENSIONING & TOLERANCING PER ASME Y14.5M-1994 TOLERANCES: .XX = ±.01 FRACT = ±1/32 .XXX = ±.005 ANG. = ±1/2°	DRAWN AARON GUTIERREZ 01/07/10
✓ SURFACE ROUGHNESS MACHINED PARTS V63 MOLDED PARTS V32	CHECKED
HOLE DIA. TOLERANCE	ENGR STEVE VALDES 02/02/10
.0135 - .125 +.004 -.001	MFG DANNY LEVY 02/04/10
.126 - .250 +.005 -.001	Q.A. BENJAMIN RUBENI 02/04/10
.251 - .500 +.006 -.001	APPROVED YOUSI ZADEH 02/04/10
.501 - .750 +.008 -.001	DRAWN IN CAD

**AeroAntenna Technology Inc**  
 AS9100 CERTIFIED CO.

TITLE: IRIDIUM MAGNET MOUNT

SIZE B	CAGE CODE OUVG2	DRAWING NO. AT1621-203	REV A
-----------	--------------------	---------------------------	----------

SCALE: NONE | I:\CAD\AT1621\203\AT1621-203\_A SHEET 1 OF 1

AT1621-203