

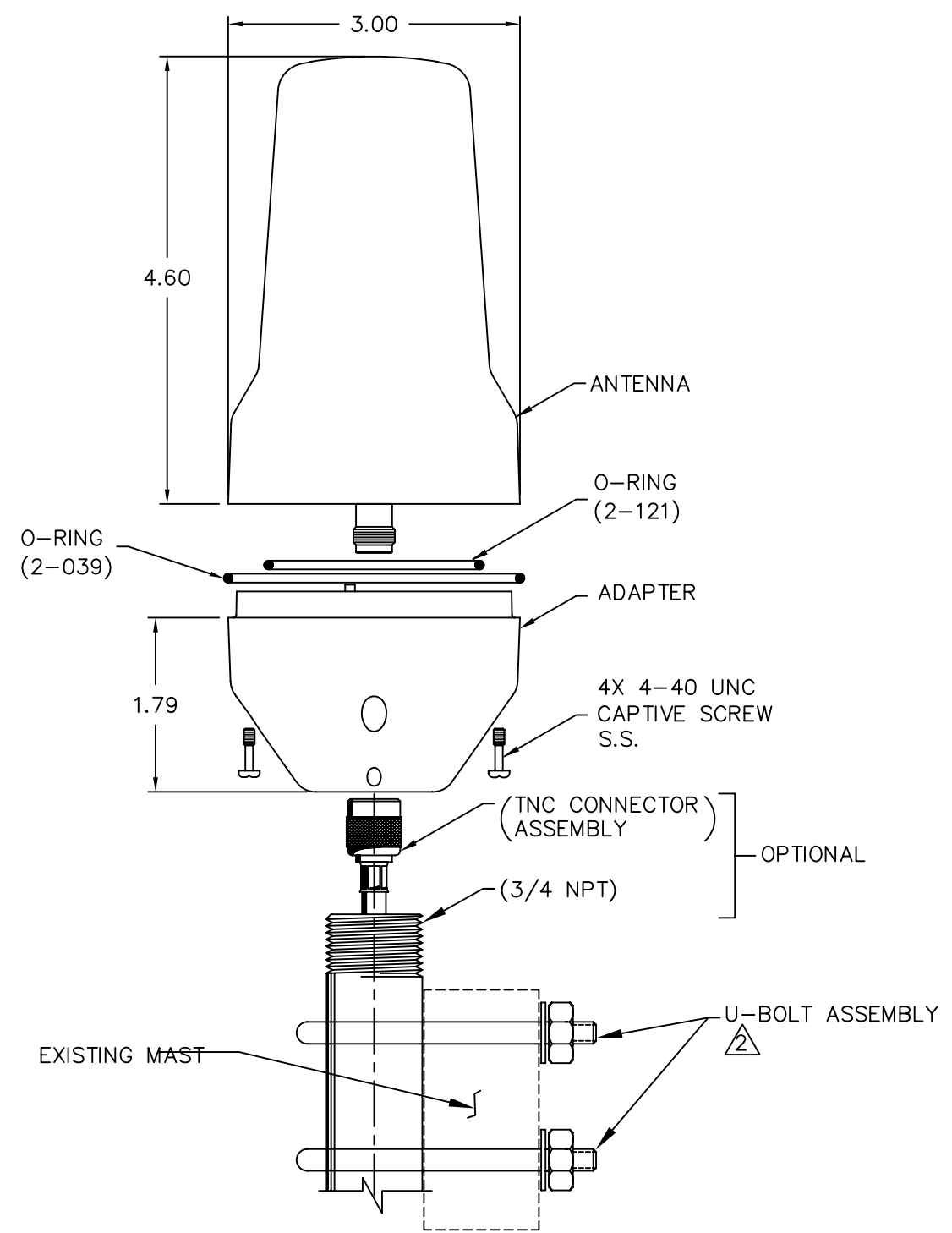
| REVISIONS                          |                     |          |          |
|------------------------------------|---------------------|----------|----------|
| SYM                                | DESCRIPTION         | DATE     | APPROVED |
| D                                  | UPDATE PER ECO 9031 | 12/16/09 |          |
| REVISED POWER HANDLING TO 10 WATTS |                     |          |          |

NOTES: UNLESS OTHERWISE SPECIFIED.

1. LOGO OPTIONAL.
2. U-BOLT ASSEMBLY WILL ACCEPT .75-1.00 OD PIPE, TORQUE NUTS TO 4-6 IN/LBS.
3. TOLERANCES: .XX = ±.03  
.XXX = ±.010

SPECIFICATION:

FREQUENCY: 1565-1626 MHz  
 POLARIZATION: RIGHT HAND CIRCULAR  
 AXIAL RATIO: 3 dB MAX AT BORE SIGHT.  
 RADIATION COVERAGE: +.04 dBic 0° = 0°  
 +1.4 dBic 0° < θ < 45°  
 -0.25 dBic 75° ≤ θ < 82°  
 IMPEDANCE: 50 OHMS  
 VSWR: ≤2.0:1  
 POWER HANDLING: 10 WATTS  
 FINISH: WEATHERABLE POLYMER WHITE  
 CONNECTOR: TNC FEMALE  
 WEIGHT: 11 OZ  
 ALTITUDE: 20,000'  
 TEMPERATURE: -55°C TO +85°C



PART NO. DESIGNATION:

AT1621-142X-XXXX-XXX-XX-XX-XX

COLOR \_\_\_\_\_  
 W = WHITE  
 CONNECTOR \_\_\_\_\_  
 TNCF = TNC FEMALE  
 SMAF = SMA FEMALE  
 CABLE LENGTH \_\_\_\_\_  
 \* 000 = IN INCHES  
 MAGNET \_\_\_\_\_  
 NM = NO MAGNET  
 GAIN \_\_\_\_\_  
 00 = PASSIVE  
 VOLTAGE \_\_\_\_\_  
 00 = PASSIVE

\* = OPTION NOT AVAILABLE WITH THIS MODEL  
 STANDARD MODEL = AT1621-142W-TNCF-000-00-00-NM



PROPRIETARY NOTE: This document contains information of AeroAntenna Technology Inc. (AAT). Neither the document nor said proprietary information shall be published, reproduced, copied, disclosed or used for any other purpose other than consideration of document without the express written permission of a duly authorized representative of said AeroAntenna Technology Inc.

|                                                                                                                                                                                                                                                              |                                |                                      |
|--------------------------------------------------------------------------------------------------------------------------------------------------------------------------------------------------------------------------------------------------------------|--------------------------------|--------------------------------------|
| DO NOT SCALE THIS DRAWING<br>REMOVE BURRS AND BREAK SHARP EDGES:<br>PART TO BE CLEAN AND OIL FREE<br>ALL DIMENSIONS ARE IN INCHES<br>DIMENSIONING & TOLERANCING PER ASME Y14.5M-1994<br>TOLERANCES:<br>.XX = ±.01 FRACT = ±1/32<br>.XXX = ±.005 ANG. = ±1/2° | DRAWN<br>A. FARIAS<br>11/11/04 | <br>AS9100 CERTIFIED CO.             |
| ✓ SURFACE ROUGHNESS<br>MACHINED PARTS V63<br>MOLDED PARTS V32                                                                                                                                                                                                | CHECKED                        |                                      |
| HOLE DIA. TOLERANCE                                                                                                                                                                                                                                          | ENGR<br>N. ISTRATE<br>11/12/04 | TITLE<br>IRIDIUM ANTENNA, FIXED SITE |
| .0135 - .125 +.004<br>-.001                                                                                                                                                                                                                                  | MFG<br>DANNY LEVY<br>9/26/08   | SIZE<br>B                            |
| .126 - .250 +.005<br>-.001                                                                                                                                                                                                                                   | Q.A.<br>B. RUBENI<br>9/26/08   | CAGE CODE<br>OUVG2                   |
| .251 - .500 +.006<br>-.001                                                                                                                                                                                                                                   | APPROVED                       | DRAWING NO.<br>AT1621-142            |
| .501 - .750 +.008<br>-.001                                                                                                                                                                                                                                   | DRAWN IN<br>CAD                | REV<br>D                             |
| NEXT ASSY                                                                                                                                                                                                                                                    | SCALE<br>NONE                  | I:\CAD\AT1621\142\AT1621-142_D       |

|                                      |                                |                           |              |
|--------------------------------------|--------------------------------|---------------------------|--------------|
| <br>AS9100 CERTIFIED CO.             |                                |                           |              |
| TITLE<br>IRIDIUM ANTENNA, FIXED SITE |                                |                           |              |
| SIZE<br>B                            | CAGE CODE<br>OUVG2             | DRAWING NO.<br>AT1621-142 | REV<br>D     |
| SCALE<br>NONE                        | I:\CAD\AT1621\142\AT1621-142_D |                           | SHEET 1 OF 1 |

AT1621-142