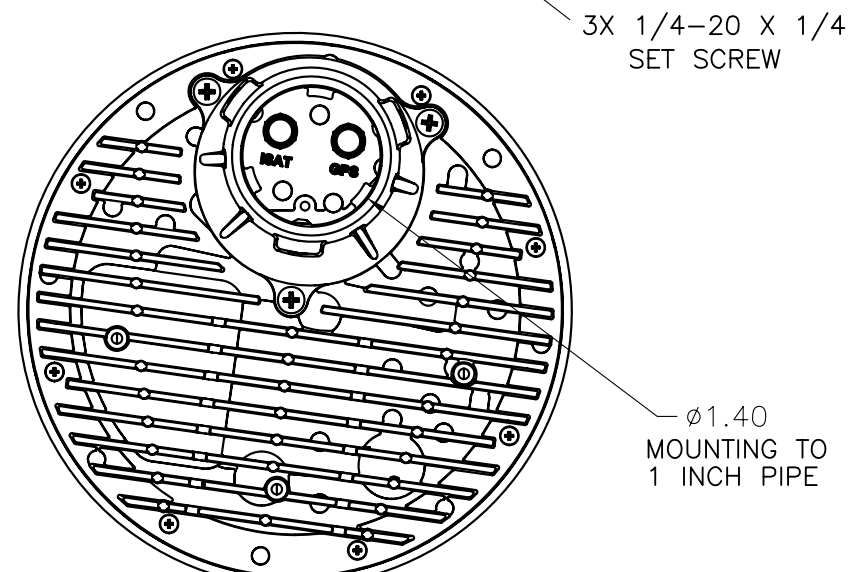
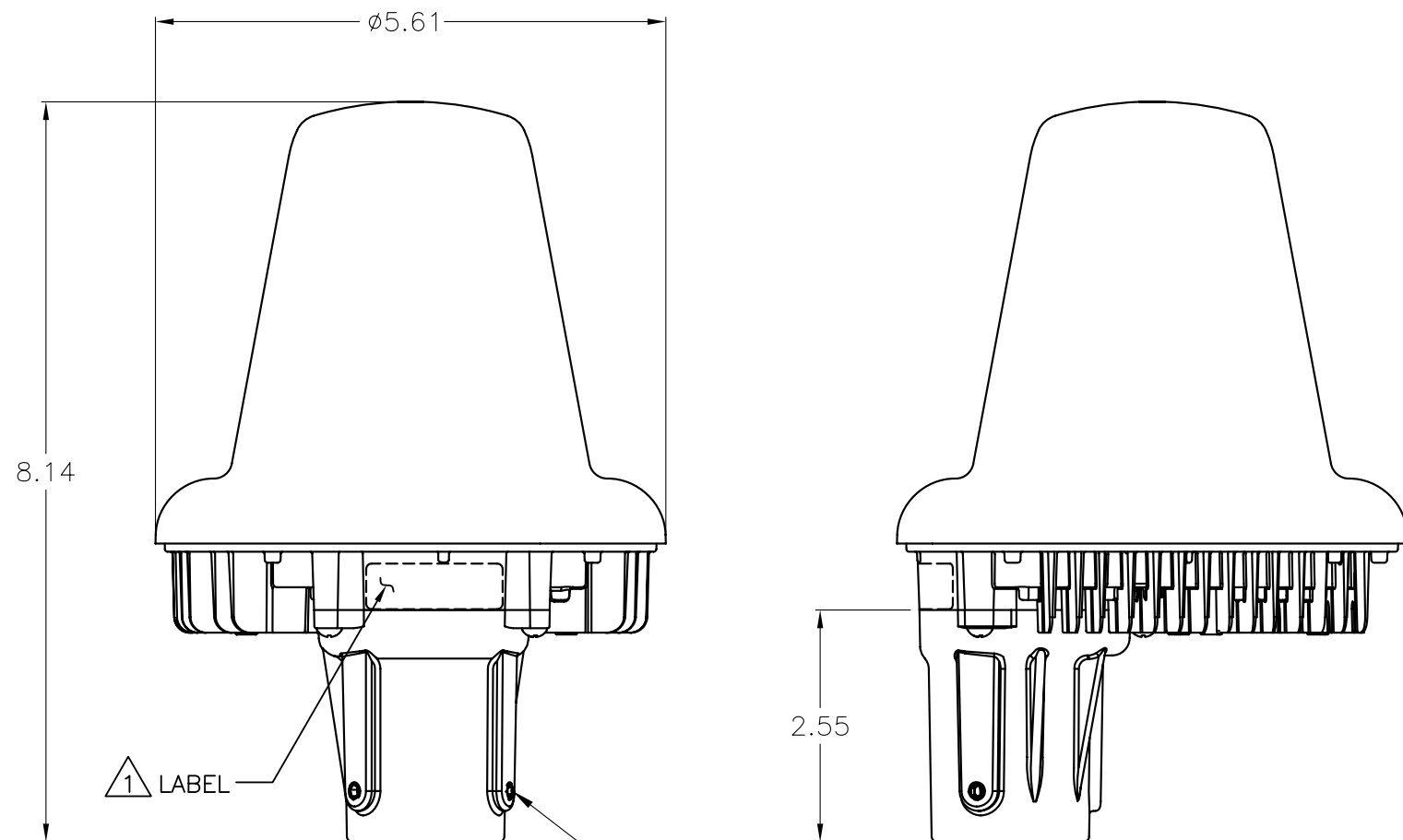


8 7 6 5 4 3 2 1

REVISIONS			
SYM	DESCRIPTION	DATE	APPROVED
A	PRODUCTION RELEASE PER ECO 9574	01/04/11	

NOTES: UNLESS OTHERWISE SPECIFIED.

- 1 LABEL LOCATED APPROXIMATELY WHERE SHOWN.
- 2. TOLERANCE: .XX = ±.03
.XXX = ±.010



SPECIFICATION:

FREQUENCY:

- 1518.0 to 1525.0 MHz Inmarsat Receive (extended)
- 1525.0 to 1559.0 MHz Inmarsat Receive (operational)
- 1575.42 ± 10.25 MHz (GPS L1)
- 1626.5 to 1660.5 MHz Inmarsat Transmit (operational)
- 1668.0 to 1675.0 MHz Inmarsat Transmit (extended)

POLARIZATION:

RIGHT HAND CIRCULAR

LIGHTNING PROTECTION:

DC GROUNDED

IMPEDANCE:

50 Ω

AXIAL RATIO:

≤ 4 dB, 0° ≤ θ ≤ 85° (operational band)
≤ 6 dB, 0° ≤ θ ≤ 85° (extended band)

CONNECTOR(S):

INMARSAT RX/TX = SMAF
GPS = SMAF

WEIGHT:

1.91 LBS MAX.

OPERATING TEMP:

-25°C to +55°C

DESIGNED TO:

INMARSAT RFI 1401

FCC ID:

YP9AT1595

IC:

9218A-AT1595

CANADA:

310



THIS DEVICE COMPLIES WITH PART 15 OF THE FCC RULES. OPERATION IS SUBJECT TO THE FOLLOWING TWO CONDITIONS:
(1) THIS DEVICE MAY NOT CAUSE HARMFUL INTERFERENCE, AND
(2) THIS DEVICE MUST ACCEPT ANY INTERFERENCE RECEIVED, INCLUDING INTERFERENCE THAT MAY CAUSE UNDESIRE OPERATION.



DO NOT SCALE THIS DRAWING	DRAWN	A. GUTIERREZ 09/23/10		 AS9100 CERTIFIED CO.
REMOVE BURRS AND BREAK SHARP EDGES:	CHECKED	I. SIROTTIN 09/23/10		
PART TO BE CLEAN AND OIL FREE	ENGR	E. NABOYSHCHIKOV 09/23/10		
ALL DIMENSIONS ARE IN INCHES	MFG	DANNY LEVY 02/24/11		
DIMENSIONING & TOLERANCING PER ASME Y14.5M-1994	Q.A.	B. RUBENI 02/24/11		
TOLERANCES:	APPROVED	YOUSSEF ZADEH 02/25/11		
XX ±.01 FRACT = ±1/32				
XXX ±.005 ANG. = ±1/2°				
✓ SURFACE ROUGHNESS MACHINED PARTS V63 MOLDED PARTS V32	DRAWN IN	CAD		
HOLE DIA. TOLERANCE				
.0135 - .125 +.004 / -.001				
.126 - .250 +.005 / -.001				
.251 - .500 +.006 / -.001				
.501 - .750 +.008 / -.001				
NEXT ASSY				
TITLE: INMARSAT/GPS RoHS, MARINE ANTENNA				REV: A
SIZE: B	CAGE CODE: OUVG2	DRAWING NO.: AT1595-82-R	SHEET 1 OF 1	
SCALE: NONE	I:\CAD\AT1595\82\AT1595-82-R_A			

PROPRIETARY NOTE: This document contains information of AeroAntenna Technology Inc. (AAT). Neither the document nor said proprietary information shall be published, reproduced, copied, disclosed or used for any other purpose other than consideration of document without the express written permission of a duly authorized representative of said AeroAntenna Technology Inc.

AT1595-82-R

D
C
B
A

D
C
B
A