

PROPRIETARY NOTICE: This document contains proprietary information of AAT Inc. neither the document nor said proprietary information shall be published, reproduced, copied, disclosed or used for any purpose other than consideration of this document without the express written permission of a duly authorized representative of said Company.

REVISIONS			
SYM	DESCRIPTION	DATE	APPROVED
D	SEE ECO 4184	03/17/00	

SPECIFICATION:

FREQUENCY: 1227 ±10 MHz
1575 ±10 MHz

POLARIZATION: RIGHT HAND CIRCULAR

AXIAL RATIO: 3 dB MAX

RADIATION COVERAGE: 4.0 dBic 0° = 0°
-1.0 dBic 0° < θ < 75°
-2.5 dBic 75° ≤ θ < 80°
-4.5 dBic 80° ≤ θ < 85°
-7.5 dBic θ = 90°

AMPLIFIER: SPECIFY

GAIN: 2.5 dB MAX

NOISE FIGURE: 50 OHMS

IMPEDANCE: ≤2.0:1

VSWR: 35 dB

BAND REJECTION: 1 WATT

POWER HANDLING: WEATHERABLE POLYMER

FINISH: SPECIFY

CONNECTOR: 15 OZ. MAX

WEIGHT: 20,000'

ALTITUDE: -40°C TO +70°C

OPERATING TEMP: D0-160

DESIGNED TO:

PART NO. DESIGNATION:

AT2775-54X-XXXX-XXX-XX-XX-XX

COLOR _____

W = WHITE
* S = SMOKE GRAY
O = OLIVE DRAB
* B = BLUE

CONNECTOR _____

TNCF = TNC FEMALE
BNCF = BNC FEMALE
NTPF = N TYPE FEMALE

CABLE LENGTH _____

* 000 = IN INCHES

MAGNET
NM = NO MAGNET

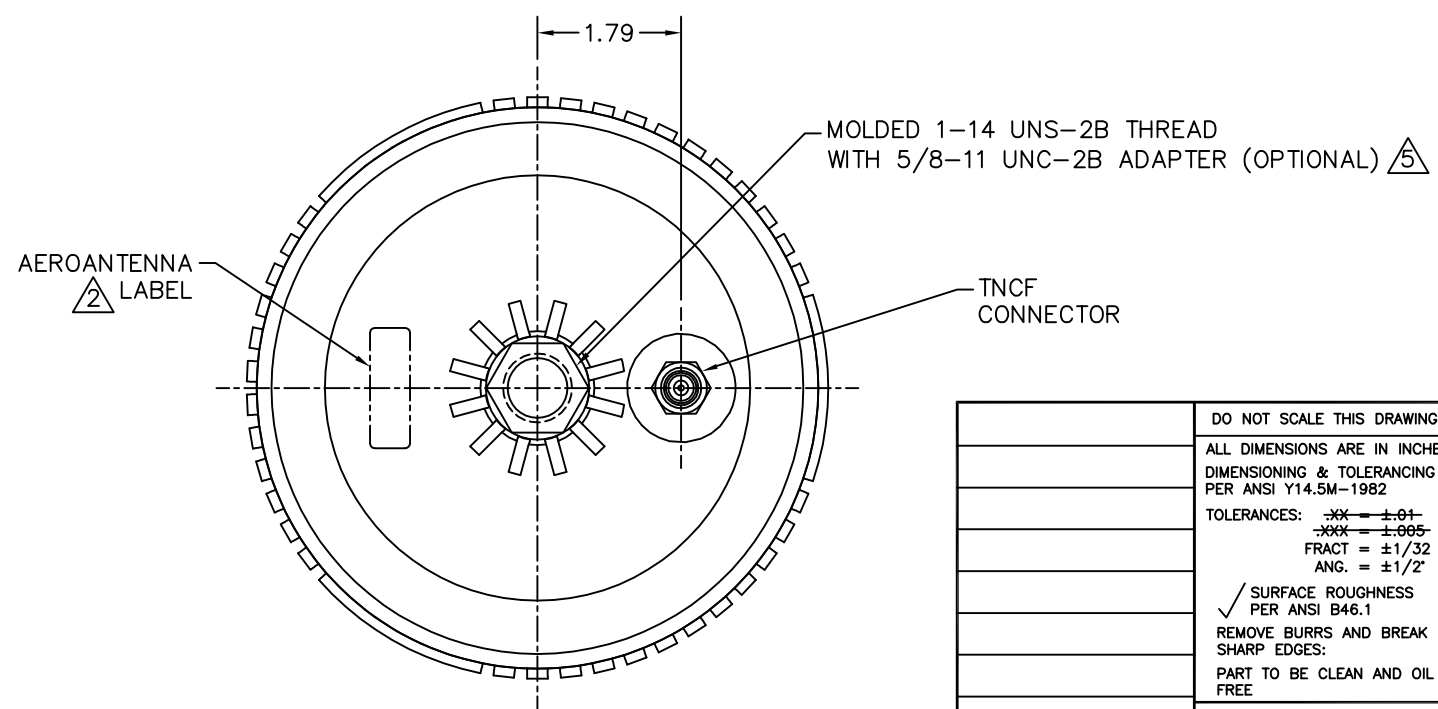
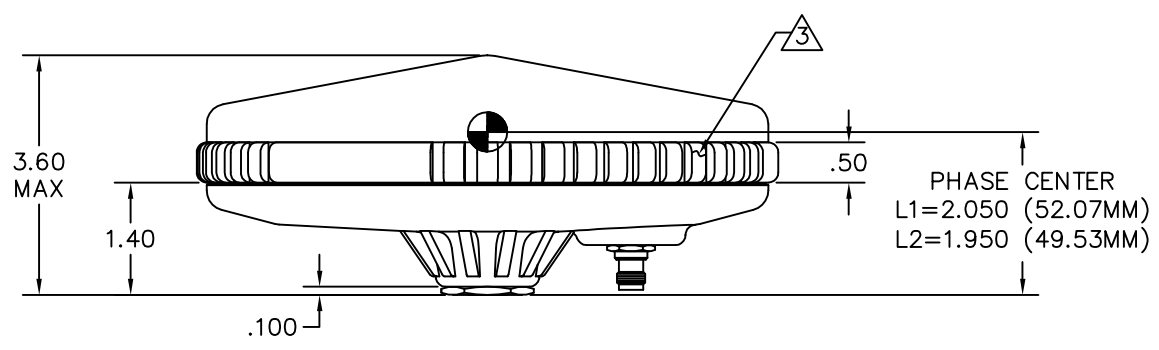
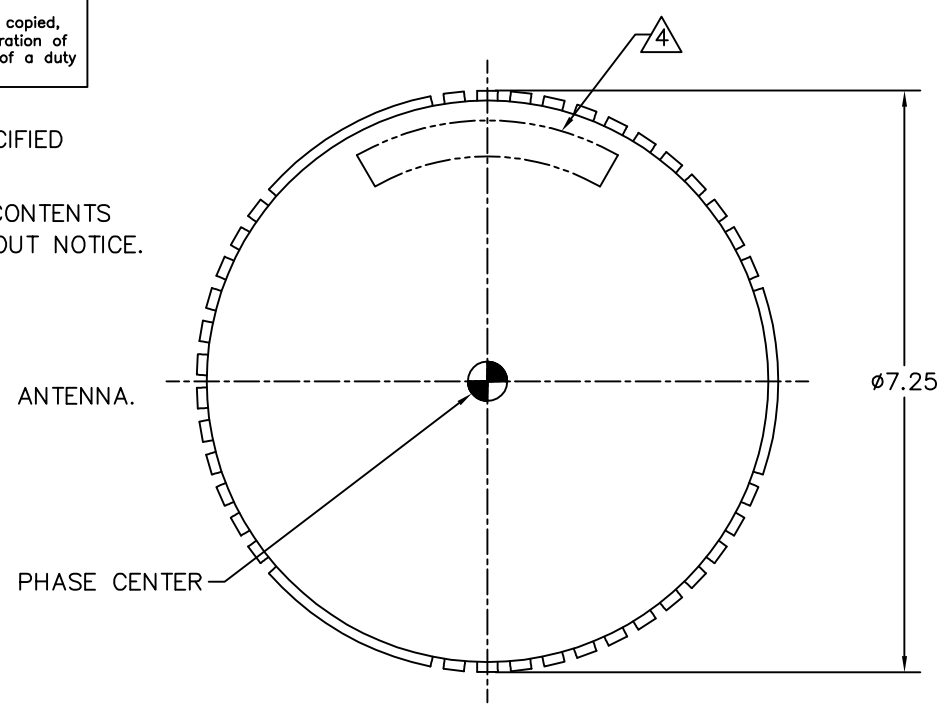
GAIN (± 2 dB)
00 = PASSIVE
14 = 14 dB (20 mA)
26 = 26 dB (45 mA)
38 = 38 dB (60 mA)
XX = OTHER

VOLTAGE
00 = PASSIVE
05 = +5 VDC
RG = +5 TO +18 VDC
XX = OTHER

* = OPTION NOT AVAILABLE WITH THIS MODEL

STANDARD MODEL= AT2775-54W-TNCF-000-05-38-NM

- NOTES: UNLESS OTHERWISE SPECIFIED
- LOGO OPTIONAL.
 - △ LABEL SIZE, SHAPE, AND CONTENTS SUBJECT TO CHANGE WITHOUT NOTICE.
 - △ COLOR OPTIONAL: RED
BLUE
BLACK
 - △ LOGO OPTIONAL LOCATION.
 - △ INSERT NOT INCLUDED WITH ANTENNA.
 - TOLERANCES: .XX ± .03
.XXX ± .010



DO NOT SCALE THIS DRAWING	DRAWN	A. DEVERA	03/24/99
ALL DIMENSIONS ARE IN INCHES	CHECKED	T. JEENSALUTE	03/25/99
DIMENSIONING & TOLERANCING PER ANSI Y14.5M-1982	ENGR	S. VALDES	03/29/99
TOLERANCES: .XX = ±.01 .XXX = ±.005 FRACT = ±1/32 ANG. = ±1/2°	Q.A.	B. RUBENI	03/29/99
✓ SURFACE ROUGHNESS PER ANSI B46.1	APPROVED	G. SHACHAR	03/28/99
REMOVE BURRS AND BREAK SHARP EDGES:	UNLESS OTHERWISE SPECIFIED	DRAWN IN ACAD	
PART TO BE CLEAN AND OIL FREE			

AeroAntenna Technology Inc

TITLE: GPS ANTENNA

SIZE	CAGE CODE	DRAWING NO.	REV
B	OUVG2	AT2775-54	D

SCALE NONE AT2775-54D SHEET 1 OF 1

AT2775-54

C

B

A