

PROPRIETARY NOTICE: This document contains proprietary information of AAT Inc. neither the document nor said proprietary information shall be published, reproduced, copied, disclosed or used for any purpose other than consideration of this document without the express written permission of a duly authorized representative of said Company.

REVISIONS			
SYM	DESCRIPTION	DATE	APPROVED
N	SEE ECO 8980	10/28/09	

NOTES: UNLESS OTHERWISE SPECIFIED.

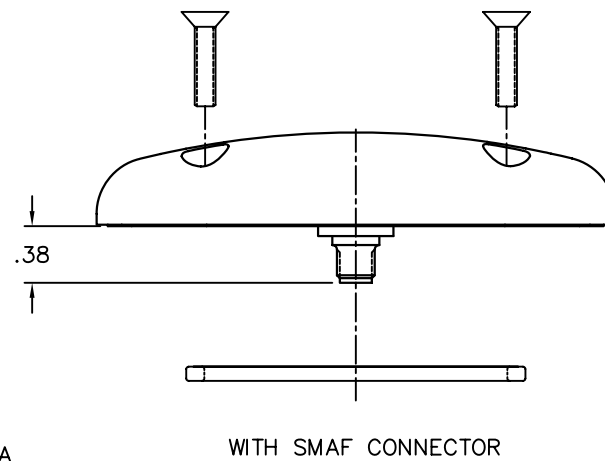
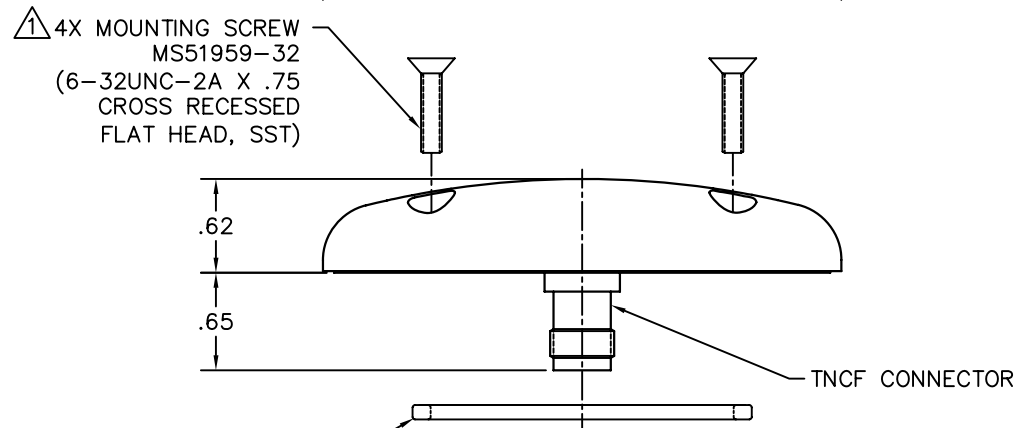
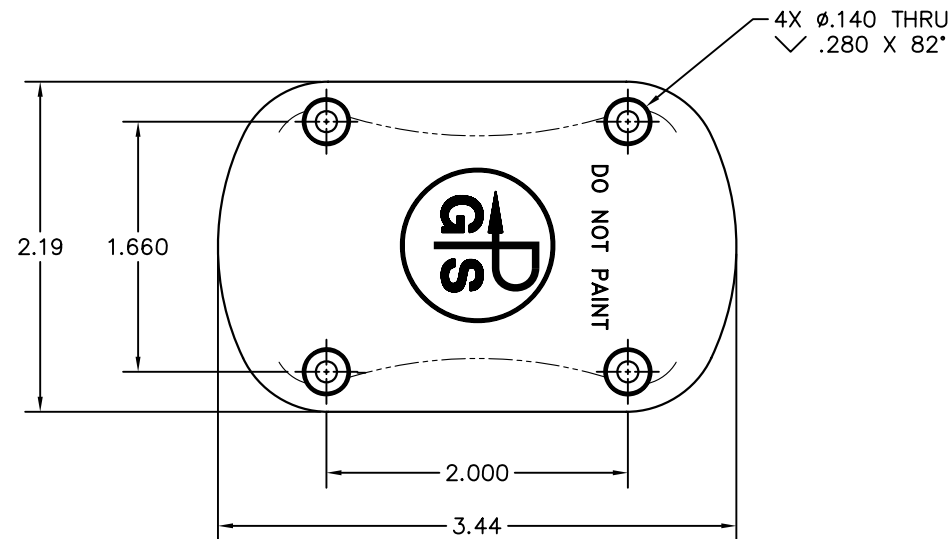
- ⚠ GASKET AND MOUNTING SCREWS SUPPLIED BY AEROANTENNA.
- ⚠ LABEL SIZE, SHAPE, CONTENTS AND LOCATION ARE SUBJECT TO CHANGE WITHOUT NOTICE.
- 3. TOLERANCES: .XX = ±.03
.XXX = ±.010

SPECIFICATION:

FREQUENCY: 1575 ±10 MHz
 POLARIZATION: RIGHT HAND CIRCULAR
 AXIAL RATIO: 3 dB MAX AT BORE SIGHT
 RADIATION COVERAGE: ELEVATION ANGLE MINIMUM GAIN
 > 15° -2.0 dBic
 10° -3.0 dBic
 5° -4.5 dBic
 0° -7.5 dBic

AMPLIFIER:

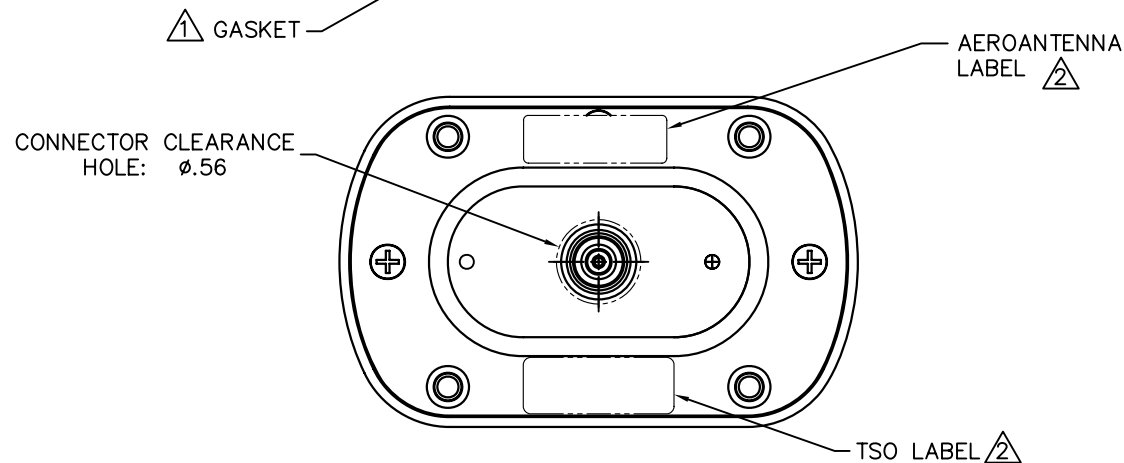
GAIN: SPECIFY
 VOLTAGE: SPECIFY
 NOISE FIGURE: 2.5 dB MAX
 IMPEDANCE: 50 OHMS
 VSWR: ≤2.0:1
 BAND REJECTION: 35 dB @ 1625 MHz
 POWER HANDLING: 1 WATT
 FINISH: POLYURETHANE ENAMEL
 WEIGHT: 3.9 OZ
 ALTITUDE: 55,000'
 OPERATING TEMP.: -55°C TO +85°C
 DESIGNED TO: DO-160D,
 ENV CAT: F2-ABB[S(CLMY)U(FF1)]XSFDZSXZXXXPX[A3][2A]CX
 TSO: C-144 (♦ DOES NOT APPLY TO THE 12 dB OPTION)



PART NO. DESIGNATION:

AT575-32XXX-XXXX-XXX-XX-XX-XX
 CUSTOMER ID (IF APPLICABLE)
 COLOR: W = WHITE, S = SMOKE GRAY, O = OLIVE DRAB
 CONNECTOR: TNC F = TNC FEMALE, SMA F = SMA FEMALE
 CABLE LENGTH * 000 = IN INCHES
 MAGNET: NM = NO MAGNET
 GAIN (± 2 dB): 00 = PASSIVE, ♦ 12 = 12 dB (20 mA), 26 = 26.5 dB (35 mA), 36 = 36 dB (50 mA), 38 = 38 dB (50 mA), XX = OTHER
 VOLTAGE: 00 = PASSIVE, 05 = 5 VDC, RG = 5-18 VDC, XX = OTHER

* = OPTION NOT AVAILABLE WITH THIS MODEL
 STANDARD MODEL = AT575-32W-TNCF-000-RG-26-NM



DO NOT SCALE THIS DRAWING	DRAWN L. TIVAROVSKY	02/25/97
ALL DIMENSIONS ARE IN INCHES DIMENSIONING & TOLERANCING PER ASME Y14.5M-1994	CHECKED M. AHMED	01/27/04
TOLERANCES: .XX = ±.01 .XXX = ±.005 FRACT = ±1/32 ANG. = ±1/2°	ENGR T. JEENASALUTE	03/01/97
✓ SURFACE ROUGHNESS MACHINED PARTS V63 MOLDED PARTS V32	MFG D. LEVY	05/20/03
REMOVE BURRS AND BREAK SHARP EDGES: PART TO BE CLEAN AND OIL FREE	Q.A. B. RUBENI	03/01/97
UNLESS OTHERWISE SPECIFIED	APPROVED G. SHAR	02/08/00
NEXT ASSY	DRAWN IN CAD	

AeroAntenna Technology Inc

TITLE GPS ANTENNA			
SIZE B	CAGE CODE OUVG2	DRAWING NO. AT575-32	REV N
SCALE NONE		SHEET 1 OF 1	