

PROPRIETARY NOTICE: This document contains proprietary information of AAT Inc. neither the document nor said proprietary information shall be published, reproduced, copied, disclosed or used for any purpose other than consideration of this document without the express written permission of a duly authorized representative of said Company.

REVISIONS			
SYM	DESCRIPTION	DATE	APPROVED
H	UPDATE PER ECO 8326	07/21/08	

NOTES: UNLESS OTHERWISE SPECIFIED.

- ▲ O-RING AND MOUNTING SCREWS SUPPLIED BY AEROANTENNA.
- ▲ LABEL SIZE, SHAPE, CONTENTS AND LOCATION ARE SUBJECT TO CHANGE WITHOUT NOTICE.
- 3. TOLERANCES: .XX = ±.03
.XXX = ±.010

SPECIFICATION:

FREQUENCY: 1575 ±10 MHz
 POLARIZATION: RIGHT HAND CIRCULAR
 AXIAL RATIO: 3 dB MAX. AT BORE SIGHT
 RADIATION COVERAGE: ELEVATION ANGLE MINIMUM GAIN
 > 15° -2.0 dBic
 10° -3.0 dBic
 5° -4.5 dBic
 0° -7.5 dBic

AMPLIFIER:
 NOISE FIGURE: 2.5 dB MAX.
 IMPEDANCE: 50 OHMS
 VSWR: ≤2.0:1
 BAND REJECTION: 35 dB
 POWER HANDLING: 1 WATT
 FINISH: POLYURETHANE ENAMEL, FLUID RESISTANT
 WEIGHT: 8 OZ MAX.
 ALTITUDE: 55,000'
 OPERATING TEMP: -55°C TO +85°C
 DESIGNED TO: DO-160D,
 ENV CAT: F2-ABB[S(CLMY)U(FF1)]XSFDZSXXXXPX[A3][2A]CX
 ARINC 743
 MIL-STD-810C
 C-144

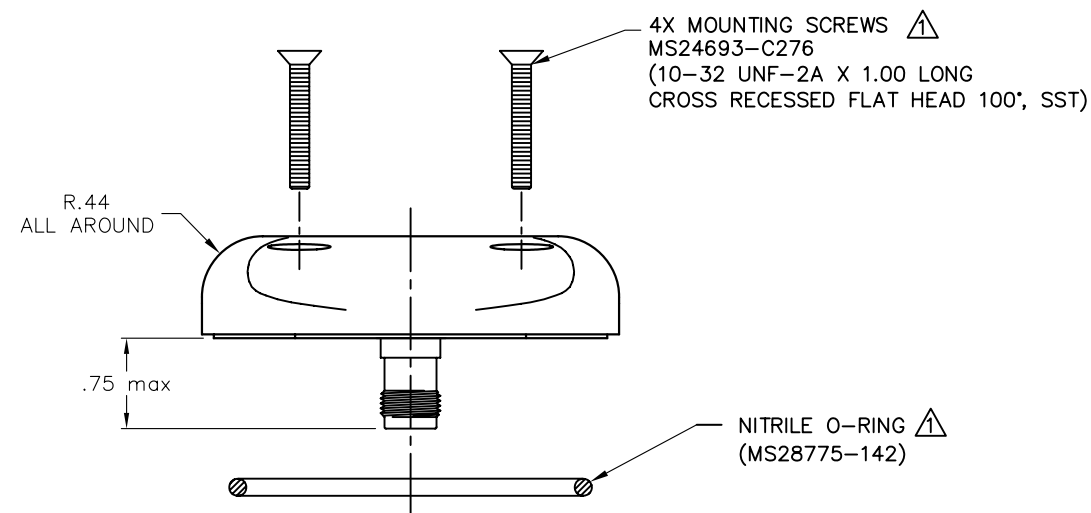
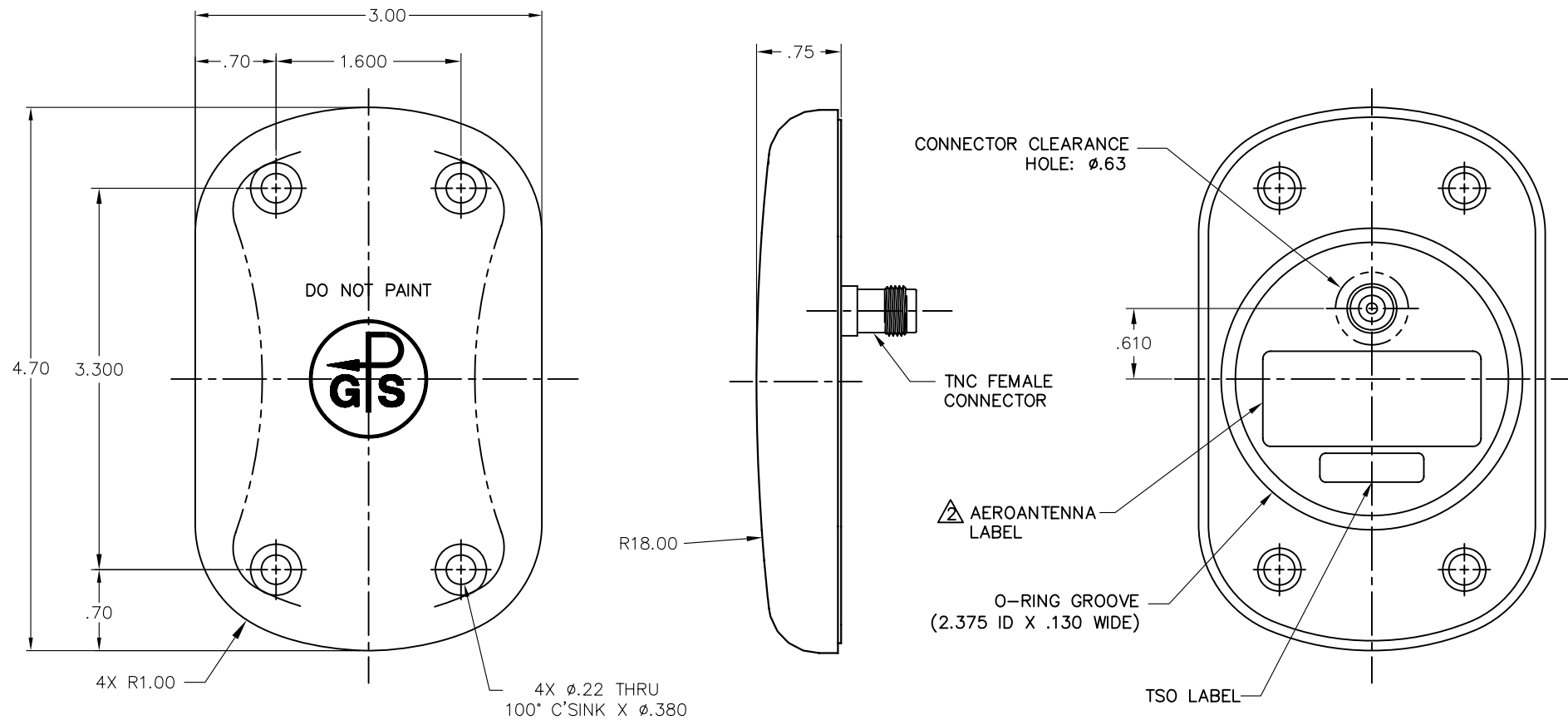


PART NO. DESIGNATION:

AT575-126XXX-XXXX-XXX-XX-XX-XX
 CUSTOMER ID (IF APPLICABLE)
 COLOR W = WHITE
 CONNECTOR TNCF = TNC FEMALE
 CABLE LENGTH *000 = IN INCHES
 MAGNET NM = NO MAGNET
 GAIN (± 2 dB)
 00 = PASSIVE
 12 = 12 dB (20 mA)
 26 = 26 dB (35 mA)
 30 = 30 dB (40 mA)
 XX = OTHER
 VOLTAGE
 00 = PASSIVE
 05 = 05 VDC
 RG = 5 - 18 VDC
 XX = OTHER

* = OPTION NOT AVAILABLE WITH THIS MODEL

STANDARD MODEL= AT575-126W-TNCF-000-RG-30-NM



DO NOT SCALE THIS DRAWING	DRAWN	T. JEENSALUTE	02/14/98
REMOVE BURRS AND BREAK SHARP EDGES:	CHECKED	D. KIM	06/04/98
PART TO BE CLEAN AND OIL FREE	ENGR	T. JEENSALUTE	06/04/98
ALL DIMENSIONS ARE IN INCHES	MFG	D. LEVY	05/21/03
DIMENSIONING & TOLERANCING PER ASME Y14.5M-1994	Q.A.	B. RUBENI	02/23/98
TOLERANCES:	APPROVED	G. SHAR	02/22/98
XX ±.01 FRACT = ±1/32	DRAWN IN	ACAD	
XXX ±.005 ANG. = ±1/2°			
✓ SURFACE ROUGHNESS MACHINED PARTS V63 MOLDED PARTS V32			
HOLE DIA. TOLERANCE			
.0135 - .125 +.004 / -.001			
.126 - .250 +.005 / -.001			
.251 - .500 +.006 / -.001			
.501 - .750 +.008 / -.001			

AeroAntenna Technology Inc
 AS9100 CERTIFIED CO.

TITLE: GPS ANTENNA

SIZE	CAGE CODE	DRAWING NO.	REV
B	OUVG2	AT575-126	H

SCALE: NONE I: \CAD\AT575\126\AT575-126_H SHEET 1 OF 1

AT575-126

A