

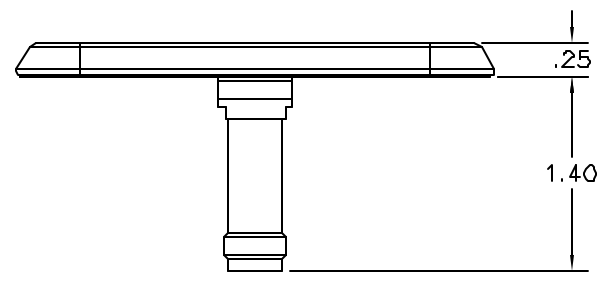
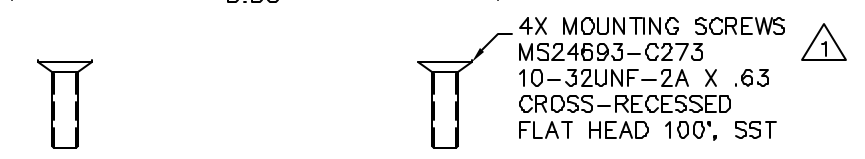
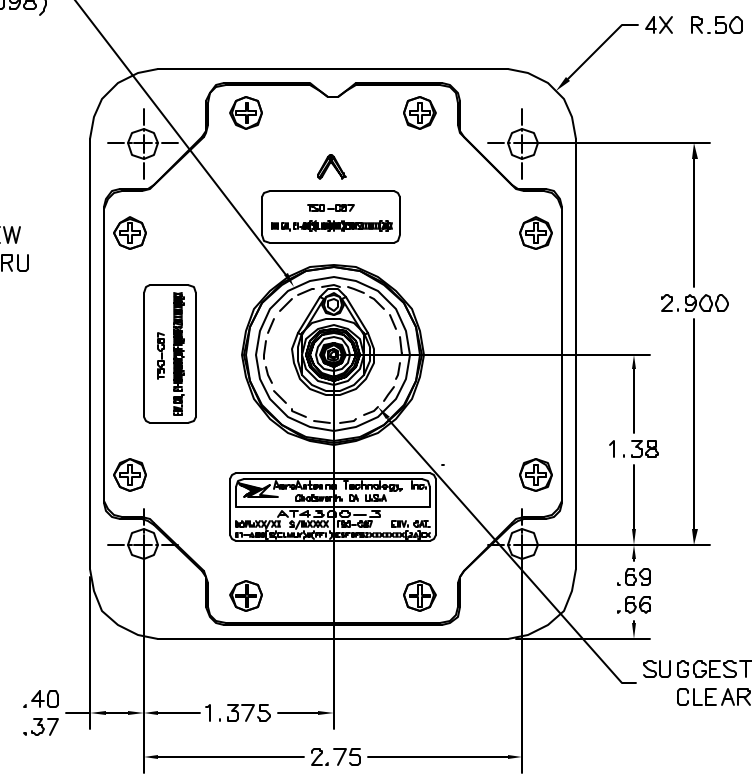
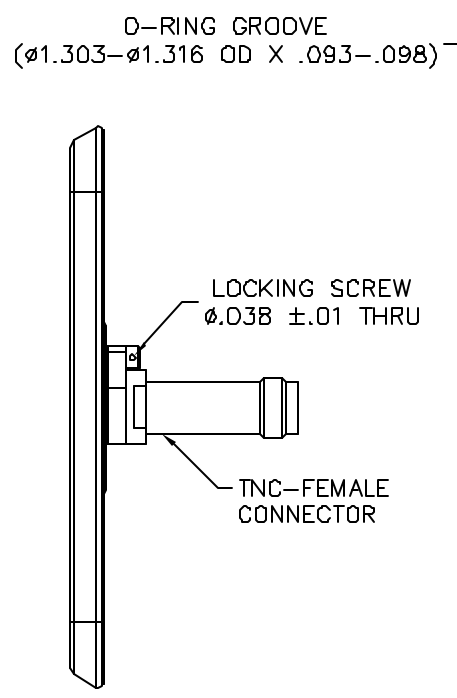
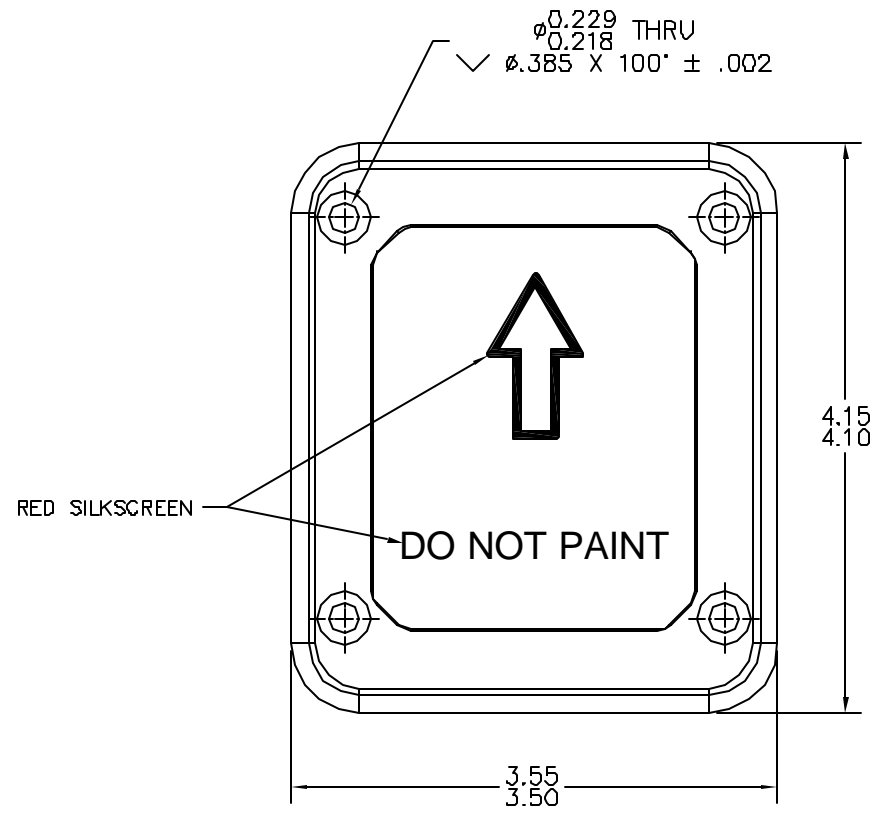
PROPRIETARY NOTICE: This document contains proprietary information of AAT Inc. neither the document nor said proprietary information shall be published, reproduced, copied, disclosed or used for any purpose other than consideration of this document without the express written permission of a duly authorized representative of said Company.

REVISIONS			
SYM	DESCRIPTION	DATE	APPROVED
11	FINAL DESEGN, ENGINEERING RELEASED	02/07/06	

- NOTES: UNLESS OTHERWISE SPECIFIED
- 1 MOUNTING SCREWS AND O-RING SUPPLIED BY AEROANTENNA.
  2. TOLERANCES: .XX = ±.03  
.XXX = ±.010

SPECIFICATION:

FREQUENCY: 4200-4400 MHz  
 POLARIZATION: LINEAR  
 BEAM WIDTH:  
 ROLL PLANE (E): 45° MIN.  
 PITCH ROLL(H): 40° MIN.  
 SIDELobe LEVEL: -40 dB  
 VSWR: < 1.5:1 (4275-4325 MHz)  
 < 2.0:1 (4200-4400)  
 IMPEDANCE: 50 OHMS  
 POWER: 500 WATTS PEAK, 5 WATT AVERAGE  
 GAIN: 10 dBi MIN.  
 LIGHTNING: DC GROUNDED  
 FINISH: FLUID RESISTANT, POLYURETHANE ENAMEL  
 COLOR: WHITE 17875 PER FED STD 595  
 MATERIAL: ALUMINUM 6061-T6  
 WEIGHT: 4.8 OUNCES  
 ALTITUDE: -2,000' TO 60,000'  
 TEMPERATURE: -70°C TO +85°C  
 DESIGNED TO: D0-160D  
 ENV CAT: E1-ABB[S(CLMUY)U(FF1)]ESFDFSZXXXXXXXX[2A]CX  
 ARINC 707  
 TSO: C87  
 ISOLATION : H-PLANE  
 16" 80 dB  
 20" 88 dB  
 30" 90 dB  
 36" 95 dB



DO NOT SCALE THIS DRAWING ALL DIMENSIONS ARE IN INCHES DIMENSIONING & TOLERANCING PER ASME Y14.5M-1994 TOLERANCES: .XX = ±.01 .XXX = ±.005 FRACT = ±1/32 ANG. = ±1/2° SURFACE ROUGHNESS: MACHINED PARTS $\sqrt{32}$ , MOLDED PARTS $\sqrt{32}$ REMOVE BURRS AND BREAK SHARP EDGES: PART TO BE CLEAN AND OIL FREE	DRAWN E. ZELAYA 07/13/05		TITLE ALTIMETER ANTENNA 4200-4400 MHz	
	CHECKED			ENGR T. JEENSALUTE 08/04/05
	MFG			Q.A.
	APPROVED			SCALE NONE   I:\CAD1\AT4300\3\AT4300-3R11
NEXT ASSY	DRAWN IN MCAD	SIZE B CAGE CODE OUVG2 DRAWING NO. AT4300-3 REV 11	SHEET 1 OF 1	

AT4300-3

A