

REVISIONS			
SYM	DESCRIPTION	DATE	APPROVED
K	UPDATE PER ECO 8954	10/14/09	
CHANGE DIAMETER OF MOUNTING HOLES TO 0.22 WITH A COUNTERSINK DIAMETER OF 0.38			

NOTES: UNLESS OTHERWISE SPECIFIED.

- 1 O-RING AND MOUNTING SCREWS SUPPLIED BY AEROANTENNA.
- 2 LABEL SIZE, SHAPE, CONTENTS AND LOCATION ARE SUBJECT TO CHANGE WITHOUT NOTICE.
- 3. TOLERANCES: .XX = ±.040
.XXX = ±.010

SPECIFICATION:

FREQUENCY: 1227 ±10 MHz
1575 ±10 MHz

POLARIZATION: RIGHT HAND CIRCULAR

AXIAL RATIO: 3 dB MAX AT BORE SIGHT

RADIATION COVERAGE: ELEVATION ANGLE MINIMUM GAIN
 > 15° -2.0 dBic
 10° -3.0 dBic
 5° -4.5 dBic
 0° -7.5 dBic

AMPLIFIER:
 NOISE FIGURE: 2.5 dB MAX
 IMPEDANCE: 50 OHMS
 VSWR: ≤2.0:1
 BAND REJECTION: 35 dB
 POWER HANDLING: 1 WATT

FINISH: POLYURETHANE ENAMEL, FLUID RESISTANT

WEIGHT: 8 OZ MAX

ALTITUDE: 70,000'

OPERATING TEMP: -55°C TO +85°C

DESIGNED TO: D0-160D,
ENV CAT: E1-ABB[S(CLMY)U(FF1)]XSFDFSZAAZPH[A3][2A]CX

TSO: C-144



PART NO. DESIGNATION:

AT2775-41XXX-XXXX-XXX-XX-XX-XX

CUSTOMER ID (IF APPLICABLE)

COLOR
 W = WHITE
 S = SMOKE GRAY
 O = OLIVE DRAB
 B = BLACK

CONNECTOR
 TNCF = TNC FEMALE

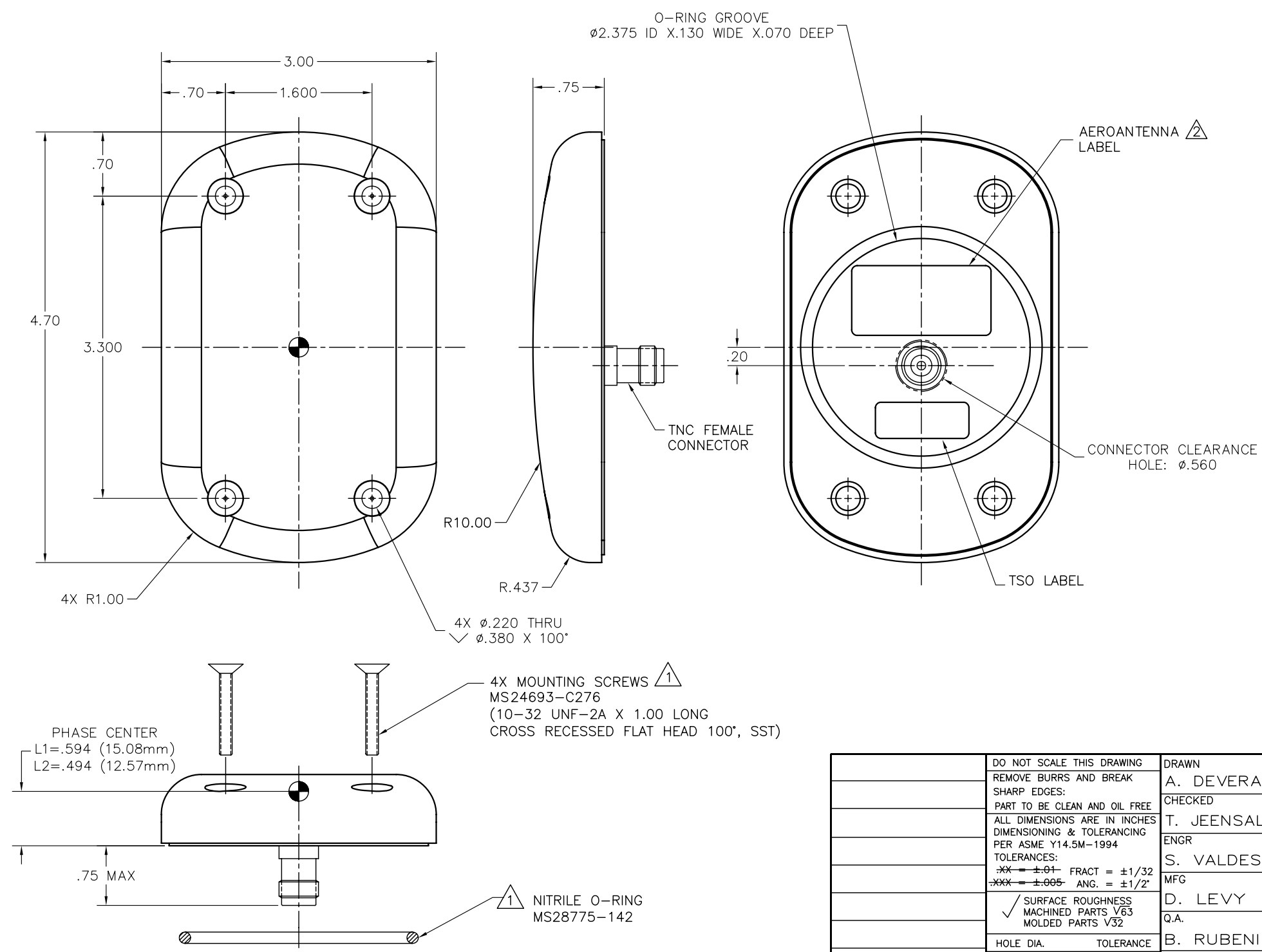
CABLE LENGTH
 * 000 = IN INCHES

MAGNET
 NM = NO MAGNET

GAIN (± 2 dB)
 00 = PASSIVE
 12 = 12 dB (28 mA)
 26 = 26 dB (60 mA)
 38 = 38 dB (75 mA)
 40 = 40 dB (75 mA)
 XX = OTHER

VOLTAGE
 00 = PASSIVE
 05 = +5 VDC
 RG = +5 TO +18 VDC
 XX = OTHER

* = OPTION NOT AVAILABLE WITH THIS MODEL
 STANDARD MODEL= AT2775-41W-TNCF-000-RG-26-NM



DO NOT SCALE THIS DRAWING	DRAWN	A. DEVERA	01/06/99
REMOVE BURRS AND BREAK SHARP EDGES:	CHECKED	T. JEENSALUTE	06/01/99
PART TO BE CLEAN AND OIL FREE	ENGR	S. VALDES	05/25/99
ALL DIMENSIONS ARE IN INCHES	MFG	D. LEVY	05/21/03
DIMENSIONING & TOLERANCING PER ASME Y14.5M-1994	Q.A.	B. RUBENI	06/01/99
TOLERANCES:	APPROVED	G. SHAR	05/25/99
.XX = ±.04 FRACT = ±1/32	DRAWN IN	CAD	
.XXX = ±.010 ANG. = ±1/2°			
✓ SURFACE ROUGHNESS MACHINED PARTS V63 MOLDED PARTS V32			
HOLE DIA. TOLERANCE			
.0135 - .125 +.004 -0.001			
.126 - .250 +.005 -0.001			
.251 - .500 +.006 -0.001			
.501 - .750 +.008 -0.001			

AeroAntenna Technology Inc
AS9100 CERTIFIED CO.

TITLE: L1/L2 GPS ANTENNA

SIZE: B CAGE CODE: OUVG2 DRAWING NO.: AT2775-41 REV: K

SCALE: NONE I:\CAD\AT2775\41\AT2775-41_K SHEET 1 OF 1

PROPRIETARY NOTE: This document contains information of AeroAntenna Technology Inc. (AAT). Neither the document nor said proprietary information shall be published, reproduced, copied, disclosed or used for any other purpose other than consideration of document without the express written permission of a duly authorized representative of said AeroAntenna Technology Inc.

AT2775-41

D

C

B

A

NEXT ASSY