

PROPRIETARY NOTICE: This document contains proprietary information of AAT Inc. neither the document nor said proprietary information shall be published, reproduced, copied, disclosed or used for any purpose other than consideration of this document without the express written permission of a duly authorized representative of said Company.

REVISIONS			
SYM	DESCRIPTION	DATE	APPROVED
Q	SEE ECO 8338	07/28/08	

PART NO. DESIGNATION:

AT575-9XXX-XXXX-XXX-XX-XX-XX

CUSTOMER ID (IF APPLICABLE) _____
 COLOR _____
 W = WHITE
 O = OLIVE DRAB
 S = SMOKE GRAY
 CONNECTOR _____
 TNCF = TNC FEMALE
 CABLE LENGTH _____
 000 = IN INCHES

MAGNET _____
 NM = NO MAGNET
 GAIN (± 2 db) _____
 00 = PASSIVE
 12 = 12 db (20 mA)
 26 = 26 db (35 mA)
 36 = 36 db (50 mA)
 38 = 38 db (50 mA)
 XX = OTHER
 VOLTAGE _____
 05 = 5 VDC
 RG = 5-18 VDC

SPECIFICATION:

FREQUENCY: 1575 MHz ± 10 MHz
 POLARIZATION: RIGHT HAND CIRCULAR
 AXIAL RATIO: 3 dB MAX
 RADIATION COVERAGE: ELEVATION ANGLE MINIMUM GAIN
 > 15° -2.0 dBic
 10° -3.0 dBic
 5° -4.5 dBic
 0° -7.5 dBic

AMPLIFIER:
 GAIN: 26.5 ± 2 dB
 NOISE FIGURE: 2.5 dB MAX
 VOLTAGE: +5 VDC $\pm 10\%$
 BIASED THROUGH CONNECTOR (40 mA MAX)

IMPEDANCE: 50 OHM
 VSWR: $\leq 2.0:1$
 BAND REJECTION: 35 dB
 POWER HANDLING: 1 WATT

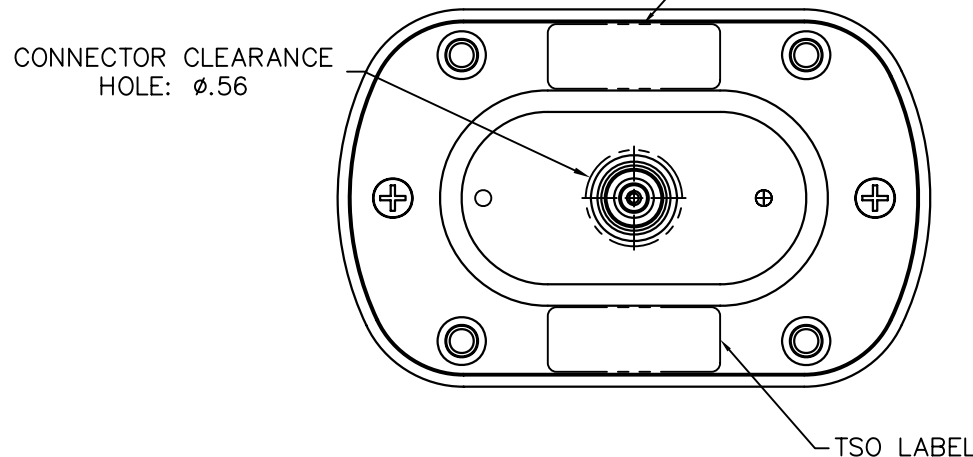
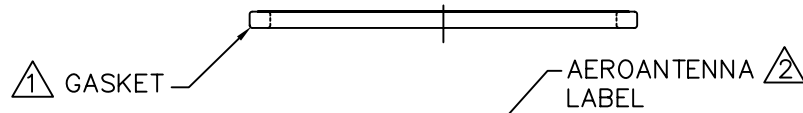
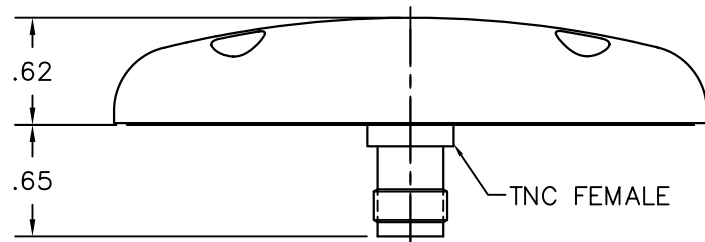
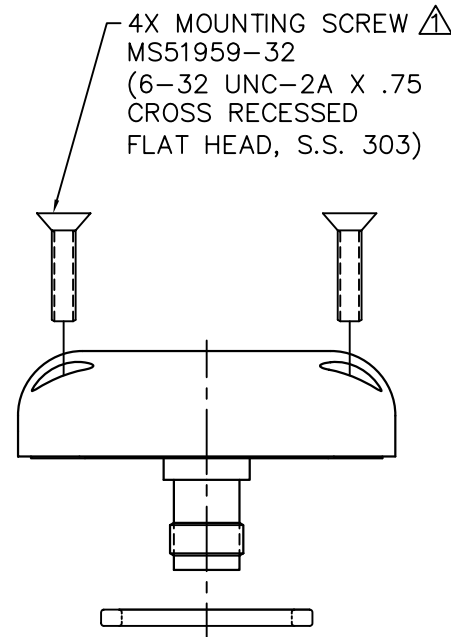
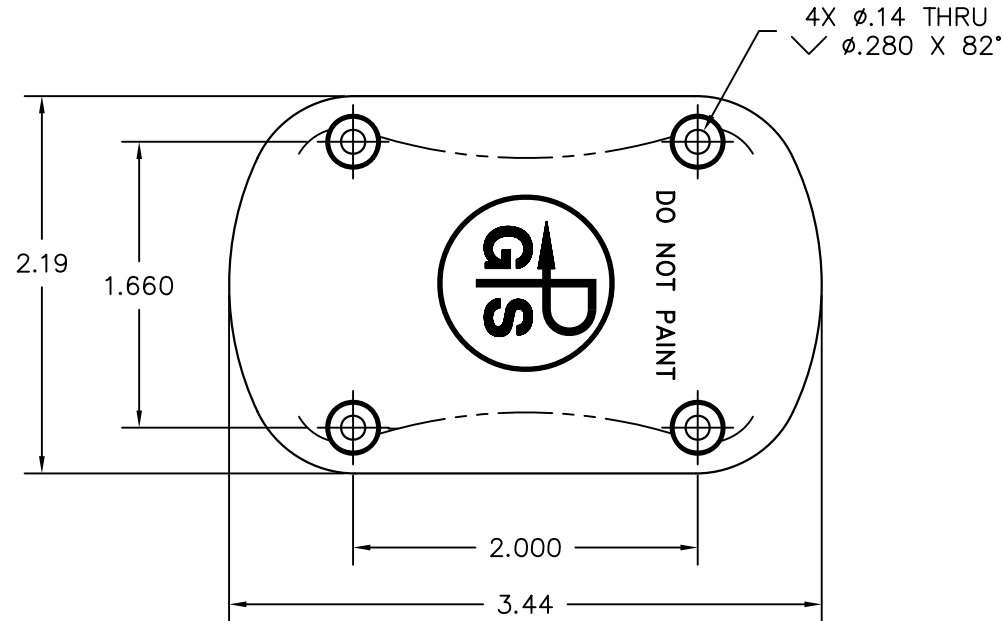
FINISH: FLUID RESISTANT, POLYURETHANE ENAMEL
 COLOR: WHITE 17875, FED STD 595

CONNECTOR: TNC FEMALE
 WEIGHT: 4 OUNCES MAX
 ALTITUDE: 55,000'
 OPERATING TEMP: -55°C TO +85°C
 DESIGNED TO: D0-160D,
 ENV CAT: F2-ABB[S(CLMY)U(FF1)]XSFDZSXXXCPX[A3][2A]CX
 MIL-STD-810C, MIL-E-5541,
 MIL-E-5400, MIL-E-5272C

TSO C-144

NOTES: UNLESS OTHERWISE SPECIFIED.

- 1 GASKET AND MOUNTING SCREWS SUPPLIED BY AEROANTENNA.
- 2 LABEL SIZE, SHAPE, CONTENTS AND LOCATION ARE SUBJECT TO CHANGE WITHOUT NOTICE.
- 3. TOLERANCES: .XX = ± 0.03
 .XXX = ± 0.010



DO NOT SCALE THIS DRAWING	DRAWN J. AMADO 10/18/91
ALL DIMENSIONS ARE IN INCHES DIMENSIONING & TOLERANCING PER ASME Y14.5M-1994	CHECKED G. SHAR 08/08/95
TOLERANCES: .XX = $\pm .01$.XXX = $\pm .005$ FRACT = $\pm 1/32$ ANG. = $\pm 1/2^\circ$	ENGR J. AMADO 08/15/95
<input checked="" type="checkbox"/> SURFACE ROUGHNESS MACHINED PARTS V63 MOLDED PARTS V32	MFG D. LEVY 05/15/03
REMOVE BURRS AND BREAK SHARP EDGES: PART TO BE CLEAN AND OIL FREE	Q.A. B. RUBENI 11/15/99
UNLESS OTHERWISE SPECIFIED	APPROVED G. SHAR 11/22/99
NEXT ASSY	DRAWN IN CAD

AeroAntenna Technology Inc

TITLE: GPS ANTENNA

SIZE: B	CAGE CODE: OUVG2	DRAWING NO.: AT575-9	REV: Q
---------	------------------	----------------------	--------

SCALE NONE | I:\CAD\AT575\ -09\AT575-9_Q | SHEET 1 OF 1

