

PROPRIETARY NOTICE: This document contains proprietary information of AAT Inc. neither the document nor said proprietary information shall be published, reproduced, copied, disclosed or used for any purpose other than consideration of this document without the express written permission of a duty authorized representative of said Company.

REVISIONS			
SYM	DESCRIPTION	DATE	APPROVED
G	SEE ECO 8338	07/28/08	

NOTES: UNLESS OTHERWISE SPECIFIED.

- 1 O-RING AND MOUNTING SCREWS SUPPLIED BY AEROANTENNA.
- 2 LABEL SIZE, SHAPE, CONTENTS AND LOCATION ARE SUBJECT TO CHANGE WITHOUT NOTICE.
- 3. TOLERANCES: .XX ± .03
.XXX ± .010

SPECIFICATION:

FREQUENCY: 1525-1585 MHz (L+L1)
1217-1237 MHz (L2)

POLARIZATION: RIGHT HAND CIRCULAR

AXIAL RATIO: 3 dB MAX

RADIATION COVERAGE: 6.0 dBic 0° = 0°
-2.0 dBic 0° < θ < 75°
-3.0 dBic 75° ≤ θ < 80°
-4.0 dBic 80° ≤ θ < 85°

AMPLIFIER:

NOISE FIGURE: 2.6 dB MAX

IMPEDANCE: 50 OHMS

VSWR: ≤2.0:1

BAND REJECTION: 20 dB @ 250 MHz

POWER HANDLING: 1 WATT

FINISH: FLUID RESISTANT

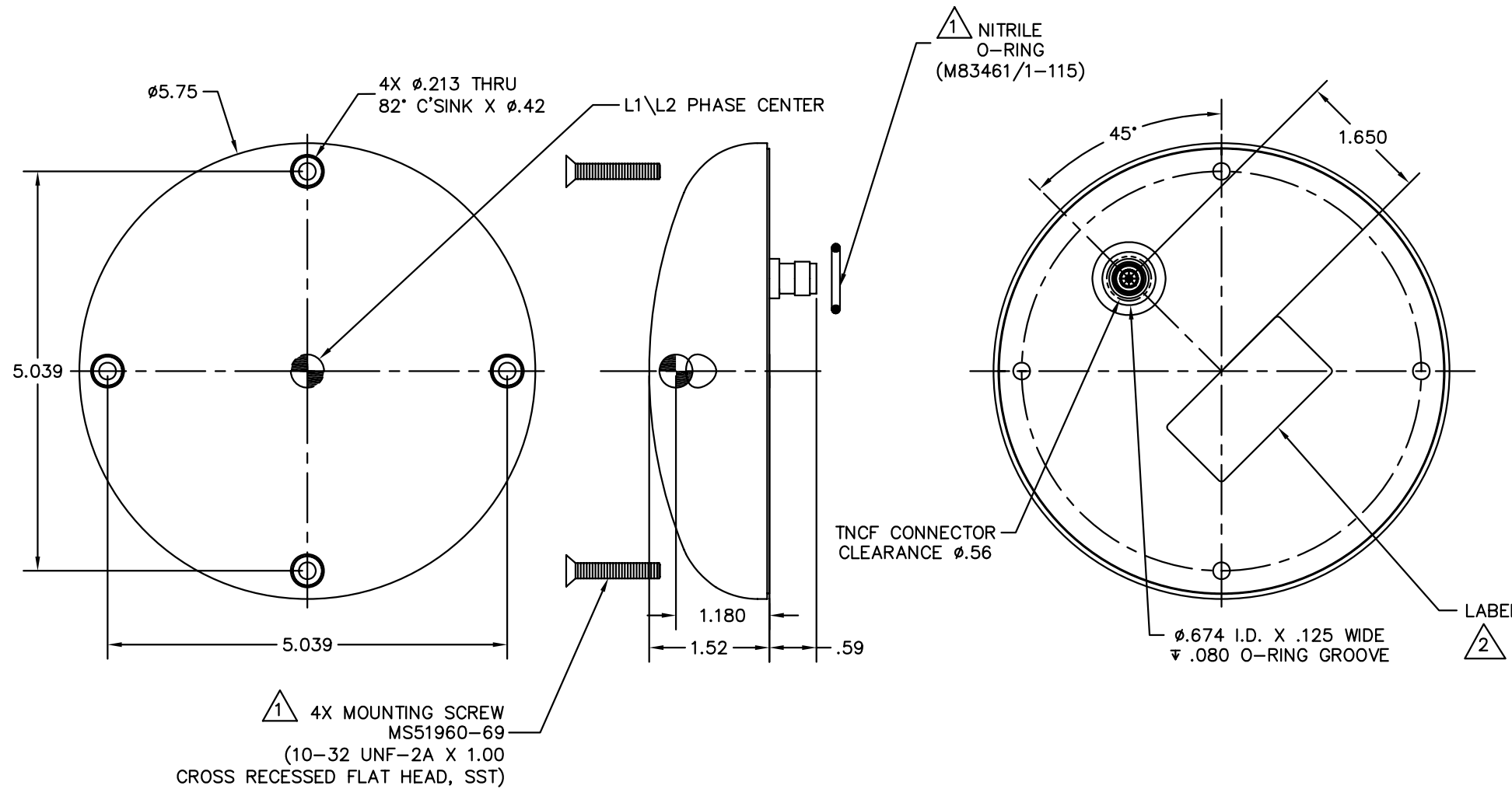
WEIGHT: 1.0 LBS. MAX

ALTITUDE: 70,000'

OPERATING TEMP: -55°C TO +85°C

DESIGNED TO: D0-160D
ENV CAT: E1-ABB[S(CLMY)U(FF1)]XSFDZSAAACPH[A3][2A]CA
C-144

TSO:



PART NO. DESIGNATION:

AT2775-81XXX-XXXX-XXX-XX-XX-XX

CUSTOMER ID (IF APPLICABLE) _____

COLOR _____ W = WHITE

CONNECTOR _____ TNC F = TNC FEMALE

CABLE LENGTH _____ * 000 = IN INCHES

MAGNET _____ NM = NO MAGNET

GAIN (± 2 dB) _____ 00 = PASSIVE
26 = 26 dB (40 mA)
39 = 39 dB (60 mA)
41 = 41 dB (60 mA)

VOLTAGE _____ RG = 4.2 TO 15.0 VDC

* = OPTION NOT AVAILABLE WITH THIS MODEL
STANDARD MODEL= AT2775-81W-TNCF-000-RG-39-NM



DO NOT SCALE THIS DRAWING	DRAWN K. SCHNORR 8/10/01				
ALL DIMENSIONS ARE IN INCHES DIMENSIONING & TOLERANCING PER ASME Y14.5M-1994	CHECKED K. SCHNORR 08/13/01				
TOLERANCES: .XX = ±.01 .XXX = ±.005 FRACT = ±1/32 ANG. = ±1/2°	ENGR T. JEENSALUTE 08/13/01	TITLE GPS ANTENNA, L1/L2 AND L-BAND			
✓ SURFACE ROUGHNESS MACHINED PARTS V63 MOLDED PARTS V32	MFG D. LEVY 08/25/01	SIZE B	CAGE CODE OUVG2	DRAWING NO. AT2775-81	REV G
REMOVE BURRS AND BREAK SHARP EDGES: PART TO BE CLEAN AND OIL FREE	Q.A. B. RUBENI 08/13/01	SCALE NONE I:\CAD\AT2775\81\AT277581_G SHEET 1 OF			
AT2775-81	APPROVED G. SHAR 08/13/01				
NEXT ASSY	UNLESS OTHERWISE SPECIFIED	DRAWN IN CAD			

AT2775-81